

TECHNICAL DATA

FROM

Anemostat Door Products

4958 Stout Dr. #119, San Antonio, TX 78219

PH: 210.662.6300 • FAX: 210.662.2828

e-mail: door@anemostat.com • website: www.anemostat.com

TEMPERED

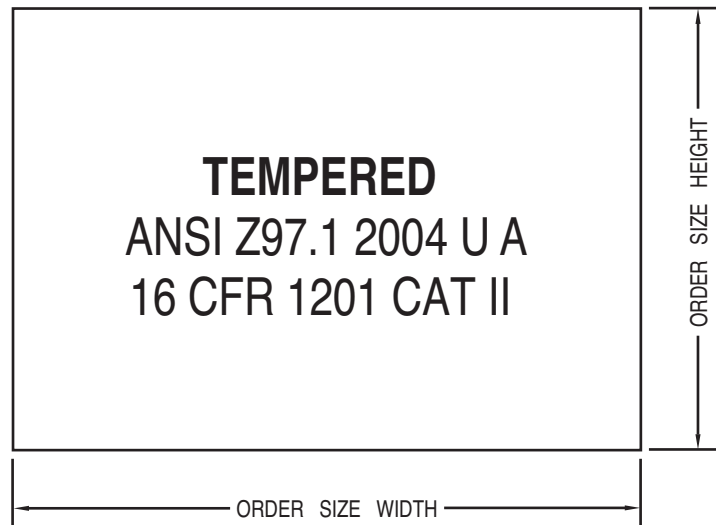
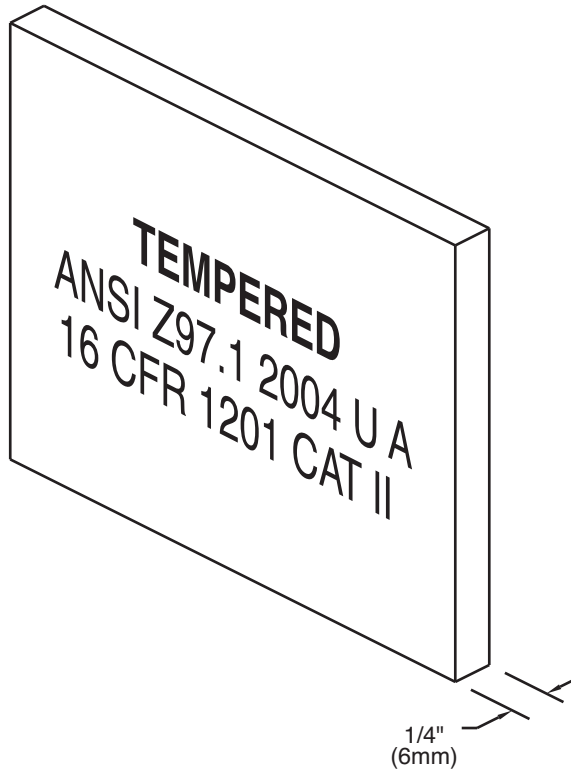
IMPACT/SAFETY RATED

1/4" (6mm)

NOT FIRE RATED

CATEGORY II IMPACT/SAFETY RATED

DETAIL DRAWING



STANDARD PRODUCT FEATURES

- **MATERIAL:** 1/4" (6mm) clear Tempered Glass is fully heat treated strengthened glass which is stronger than ordinary float glass.
- **INSTALLATION:** Tempered Glass shall be glazed into the appropriate framing with 1/8" (3.2mm) glazing tape (supplied loose) to both sides of glass.
- **STRENGTH:** It has bending and impact strengths which are 3 to 5 times higher than those of annealed glasses of the same thickness.
- **THERMAL SHOCK STRENGTH:** Is approximately three times as resistant to rapid temperature changes as annealed glass.
- **SAFETY:** Tempered Glass breaks into small particles upon impact, preventing serious injury, unlike annealed glass which can break into large, sharp pieces.

OPTIONAL FEATURES

- **COLORS:** Available in Bronze, Gray, Graylite, and Obscure.
- **SIZES:** Customized shapes to fit almost any shape vision frame. CANNOT be cut after manufacturing.

IMPACT / SAFETY RATINGS

- Meets ANSI Z97.1-2004 U A and CPSC 16 CFR 1201 Category II, Impact Test Standard.

CONFORMS TO THE FOLLOWING

- ASTM C1036
- ASTM C1048

Job Name & Location	Submitted by

For Most Current Info, Consult Factory or check our website, www.anemostat.com