

THE
ULTIMATE
SOLUTION
S-VENT[®]



Premium Correctional System Air Grilles



**OBSTRUCTED
AIRFLOW**



**SUICIDE
ATTEMPTS**



**WEAPONS OR
CONTRABAND**



**RUST AND/OR
PEELING PAINT**



Anemostat

First in Product Design, Quality and Service

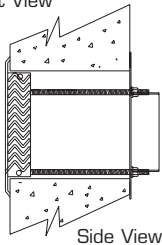
NEW CONSTRUCTION OR RETROFIT

FOUR EXCEPTIONAL LEVELS OF MAXIMUM SECURITY EXCEEDING TRADITIONAL INDUSTRY STANDARDS

SV-2
ULTIMATE
MAXIMUM SECURITY
1/8" x 1/8" Air Passage



Front View

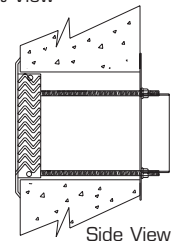


Side View

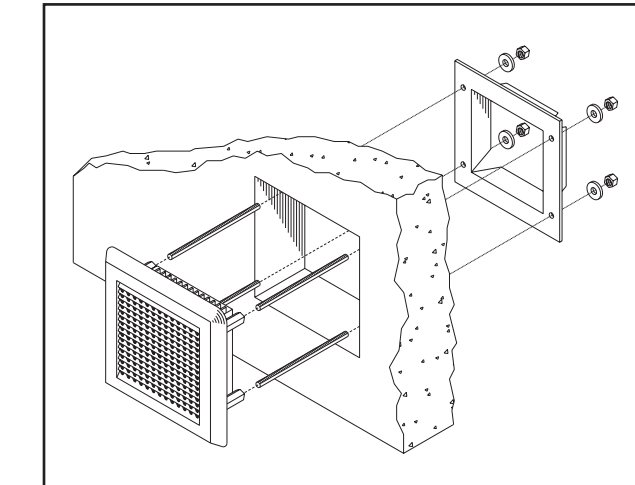
SV-3
SUPERIOR
MAXIMUM SECURITY
1/8" x 3/8" Air Passage



Front View



Side View

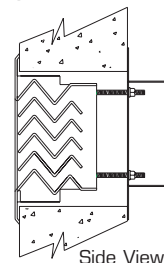


NEW CONSTRUCTION Installation Drawing
(Rear Wall Access)

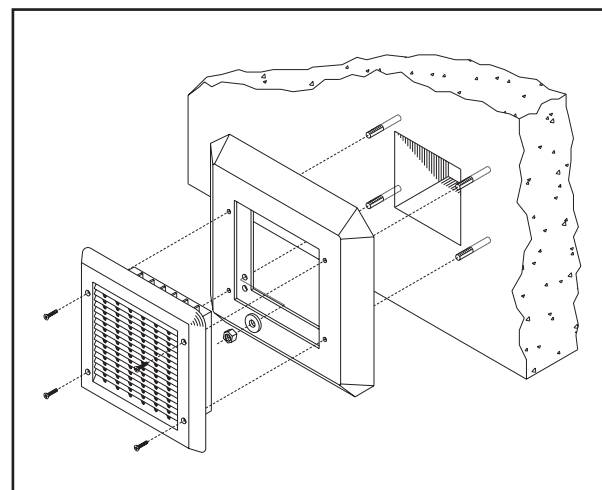
SV-33
OUTSTANDING
MAXIMUM SECURITY
1/2" Horizontal Air Passage



Front View



Side View

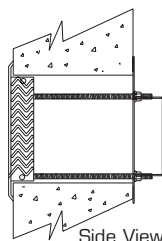


RETROFIT Installation Drawing
(Front Access)

SV-6
EXCELLENT
MAXIMUM SECURITY
1/8" x 2" Air Passage



Front View



Side View

- Virtually eliminates suicide by hanging
- Prevents storage of contraband
- Eliminates concealment of weapons
- Maintenance free design
- For use in areas of close confinement such as prisons, jail cells, intake centers, juvenile detention and psychiatric facilities

- Unique Multi-Stage Powder Coat Finish for durability
- Available in Steel or Aluminum construction
- Directional Air Flow delivers optimum air distribution performance
- Security diffusers with patented "S" channel design are available in 1, 2, 3 or 4 way throw patterns, delivering quality performance without faceplate deflection

United States Patents issued for S-Vent®
5,375,373 and 6,113,488



Anemostat
SECURITY AIR PRODUCTS

S-Vent® is a registered trademark of
Safety Concepts, Inc., licensed to
Anemostat Products, a Mestek Company

P.O. BOX 4938 • 1220 WATSONCENTER ROAD • CARSON, CA 90745-4206 • (310) 835-7500 • FAX (310) 835-0448

E-mail: airsec@anemostat.com • Website: www.anemostat.com