

# S-VENT<sup>®</sup>

## SUBMITTAL SHEET



# Anemostat<sup>®</sup>

A MESTEK COMPANY

P.O. BOX 4938 • 1220 WATSONCENTER ROAD • CARSON, CA 90745-4206  
 (310) 835-7500 • FAX (310) 835-0448  
 e-mail: airsec@anemostat.com • website: www.anemostat.com

# SV6-\_\_-ZB

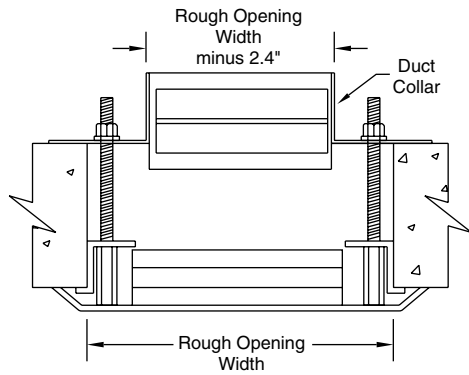
SPECIFY TYPE

MAXIMUM SECURITY GRILLE

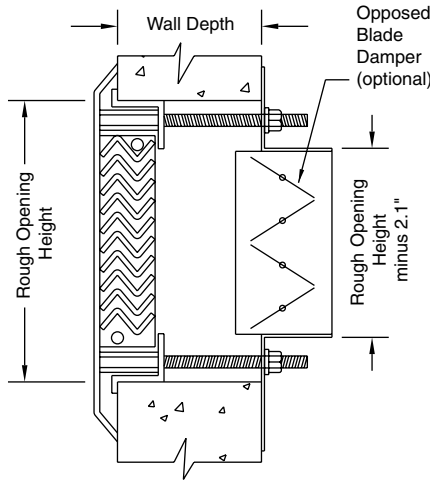
2" (max.) X 1/8" OPENING  
 with

FACE MOUNTED Z-BRACKET

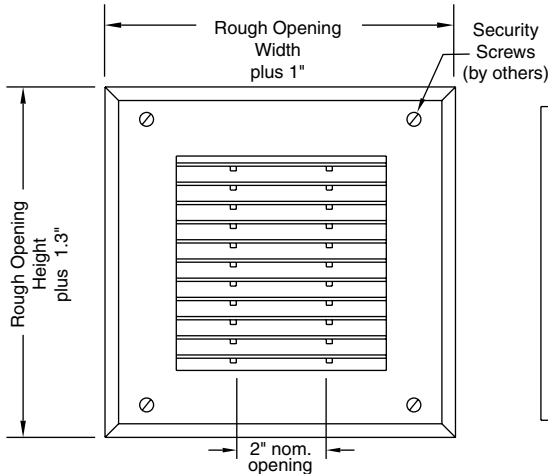
**TOP SECTION**



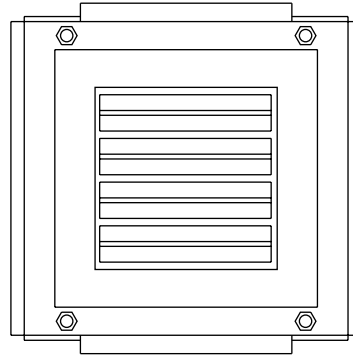
**SIDE SECTION**



**FRONT SECTION**



**FRONT SECTION without GRILLE, with OBD**



## PRODUCT FEATURES

**Face Flange**

12 GA (standard)

**Material Type**

Cold Rolled Steel (standard)

**Horizontal/Vertical Mullions**

12 GA with 1 7/16" Neck Depth (std)

**Duct Collar**

14 GA (standard)

**Opposed Blade Damper (optional)**  
 (shipped loose)

Front Operated

Rear Operated

**Coupling Nuts with Threaded Rods**

(standard)

**Finish**

Beige Powder Coat-5 to 7 mil (std)

White Powder Coat-5 to 7 mil (opt)

Other Powder Coat Colors \_\_\_\_\_

**Z-Bracket for Wall Mount**

Aligns with Rear Mounting Bracket

**IMPORTANT:** It is the specifier's responsibility to properly configure the HVAC system to meet the appropriate level of comfort, safety, security and detention

**MUST SPECIFY TYPE (BASED ON ROUGH OPENING SIZE) AS PART OF MODEL NUMBER WHEN PLACING ORDER**

ROUGH OPENING SIZES (WIDTH X HEIGHT)

| Dimensions in Inches |      | WIDTH |     |      |      |      |      |      |      |      |  |
|----------------------|------|-------|-----|------|------|------|------|------|------|------|--|
|                      |      | 6.4   | 8.4 | 10.4 | 12.4 | 14.4 | 16.4 | 18.4 | 20.4 | 22.4 |  |
| HEIGHT               | 6.1  | A1    | B1  | C1   | D1   | E1   | F1   | G1   | H1   | J1   |  |
|                      | 8.1  | A2    | B2  | C2   | D2   | E2   | F2   | G2   | H2   | J2   |  |
|                      | 10.1 | A3    | B3  | C3   | D3   | E3   | F3   | G3   | H3   | J3   |  |
|                      | 12.1 | A4    | B4  | C4   | D4   | E4   | F4   | G4   | H4   | J4   |  |
|                      | 14.1 | A5    | B5  | C5   | D5   | E5   | F5   | G5   | H5   | J5   |  |
|                      | 16.1 | A6    | B6  | C6   | D6   | E6   | F6   | G6   | H6   | J6   |  |
|                      | 18.1 | A7    | B7  | C7   | D7   | E7   | F7   | G7   | H7   | J7   |  |
|                      | 20.1 | A8    | B8  | C8   | D8   | E8   | F8   | G8   | H8   | J8   |  |
|                      | 22.1 | A9    | B9  | C9   | D9   | E9   | F9   | G9   | H9   | J9   |  |

| QTY | TYPE | ROUGH OPENING W" X H" | WALL DEPTH |
|-----|------|-----------------------|------------|
| 27  | C4   | 10.3 X 12.1           | 6"         |
|     |      |                       |            |
|     |      |                       |            |
|     |      |                       |            |
|     |      |                       |            |
|     |      |                       |            |
|     |      |                       |            |
|     |      |                       |            |
|     |      |                       |            |

**SUBMITTAL APPROVAL**

|                              |      |                     |      |
|------------------------------|------|---------------------|------|
| <b>Job Name and Location</b> |      |                     |      |
| <b>Engineer</b>              | Date | <b>Factory</b>      | Date |
| <b>Mfr. Rep.</b>             | Date | <b>Submitted By</b> | Date |

MARCH 2006

NEW CONSTRUCTION

S-VENT SECURITY PRODUCTS PAGE 8