

# S-VENT<sup>®</sup> SUBMITTAL SHEET



**Anemostat<sup>®</sup>**  
A MESTEK COMPANY

P.O. BOX 4938 • 1220 WATSONCENTER ROAD • CARSON, CA 90745-4206  
(310) 835-7500 • FAX (310) 835-0448  
e-mail: airsec@anemostat.com • website: www.anemostat.com

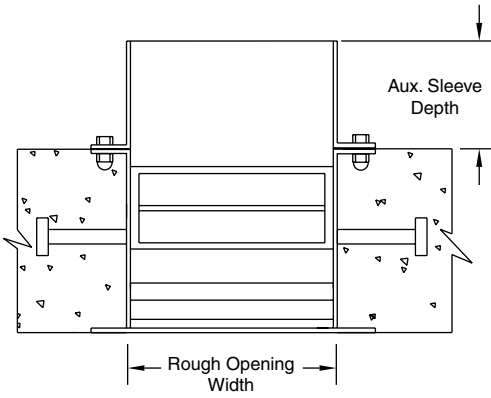
**SV6-\_\_-PC**

SPECIFY TYPE

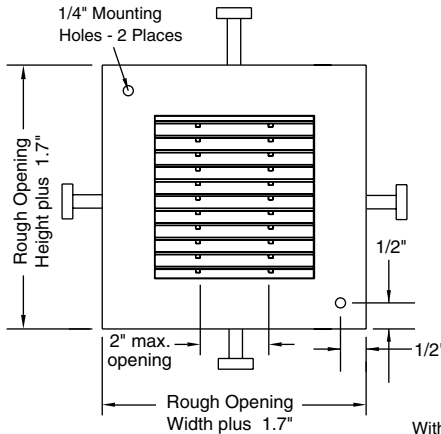
**MAXIMUM SECURITY GRILLE**

2" (max.) X 1/8" OPENING  
with  
ANCHOR STUDS FOR  
PRECAST CONCRETE

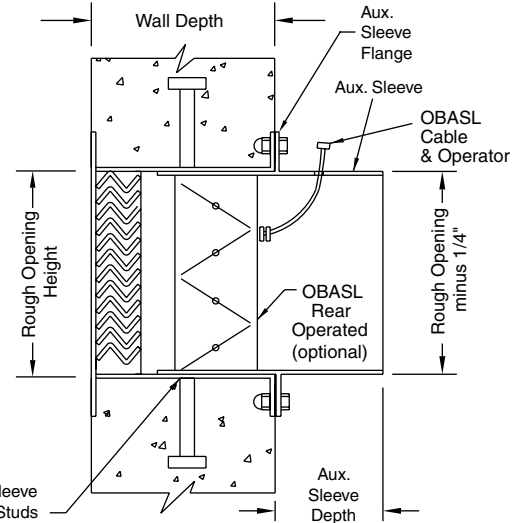
**TOP SECTION**



**FRONT SECTION**



**SIDE SECTION**



**IMPORTANT:** It is the specifier's responsibility to properly configure the HVAC system to meet the appropriate level of comfort, safety, security and detention

## PRODUCT FEATURES

**Face Flange**

12 GA (standard)

**Material Type**

Cold Rolled Steel (standard)

**Horizontal Louvers/Vertical Mullions**

12 GA with 1 7/16" Neck Depth (std)

**Finish**

Beige Powder Coat-5 to 7 mil (std)

White Powder Coat-5 to 7 mil (opt)

Other Powder Coat Colors \_\_\_\_\_

**Sleeve (standard)**

12 GA - specify length \_\_\_\_\_

**Auxiliary Sleeve with Flange (optional)**

14 GA - specify length \_\_\_\_\_

**Opposed Blade Damper (optional)**  
(shipped loose)

Rear Operated with ASL Cable

**Anchoring Studs (standard)**

Nelson Type - specify stud size \_\_\_\_\_

**MUST SPECIFY TYPE (BASED ON ROUGH OPENING SIZE)  
AS PART OF MODEL NUMBER WHEN PLACING ORDER**

ROUGH OPENING SIZES (WIDTH X HEIGHT)

Dimensions in Inches	WIDTH									
	6.3	8.3	10.3	12.3	14.3	16.3	18.3	20.3	22.3	
HEIGHT	6.3	A1	B1	C1	D1	E1	F1	G1	H1	J1
	8.3	A2	B2	C2	D2	E2	F2	G2	H2	J2
	10.3	A3	B3	C3	D3	E3	F3	G3	H3	J3
	12.3	A4	B4	C4	D4	E4	F4	G4	H4	J4
	14.3	A5	B5	C5	D5	E5	F5	G5	H5	J5
	16.3	A6	B6	C6	D6	E6	F6	G6	H6	J6
	18.3	A7	B7	C7	D7	E7	F7	G7	H7	J7
	20.3	A8	B8	C8	D8	E8	F8	G8	H8	J8
	22.3	A9	B9	C9	D9	E9	F9	G9	H9	J9

QTY	TYPE	ROUGH OPENING		WALL
		W"	H"	DEPTH
27	C3	10.3	10.3	6"

**SUBMITTAL APPROVAL**

<b>Job Name and Location</b>			
<b>Engineer</b>	Date	<b>Factory</b>	Date
<b>Mfr. Rep.</b>	Date	<b>Submitted By</b>	Date