

# S-VENT<sup>®</sup> SUBMITTAL SHEET



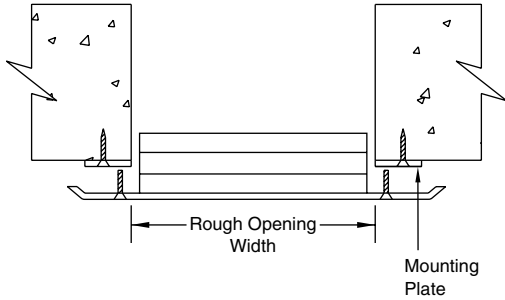
**Anemostat<sup>®</sup>**  
A MESTEK COMPANY

P.O. BOX 4938 • 1220 WATSONCENTER ROAD • CARSON, CA 90745-4206  
(310) 835-7500 • FAX (310) 835-0448  
e-mail: airsec@anemostat.com • website: www.anemostat.com

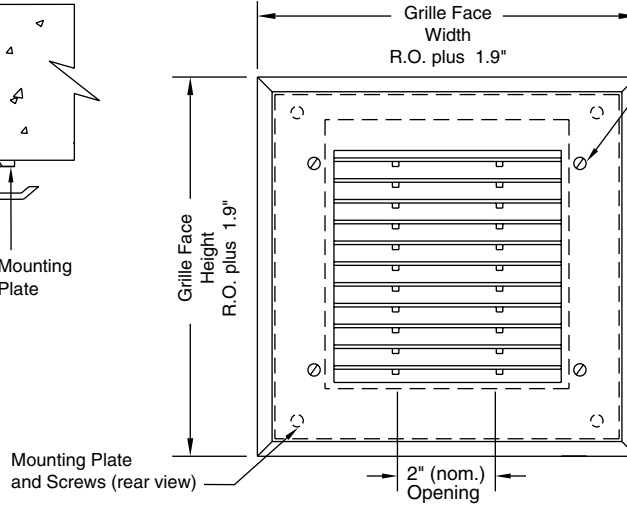
**SV6-\_\_-FM**  
SPECIFY TYPE

**MAXIMUM SECURITY GRILLE**  
2" (nom.) X 1/8" OPENING  
with  
FACE MOUNTED GRILLE  
and PLATE

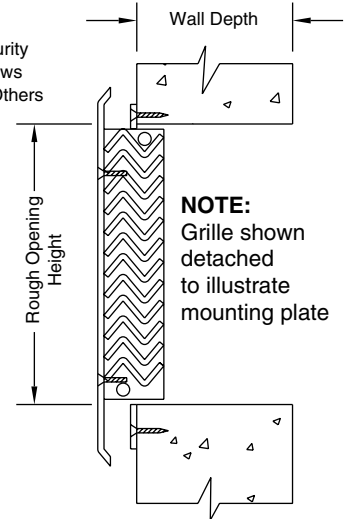
**TOP SECTION**



**FRONT SECTION**



**SIDE SECTION**



**IMPORTANT:** It is the specifier's responsibility to properly configure the HVAC system to meet the appropriate level of comfort, safety, security and detention

## PRODUCT FEATURES

**Face Flange**

12 GA (standard)

**Material Type**

Cold Rolled Steel (standard)

**Horizontal/Vertical Mullions**

12 GA with 1 7/16" Neck Depth (std)

**Finish**

Beige Powder Coat-5 to 7 mil (std)

White Powder Coat-5 to 7 mil (opt)

Other Powder Coat Colors \_\_\_\_\_

**Special Mounting Plate**

14 GA Galvanized (standard)

**MUST SPECIFY TYPE (BASED ON ROUGH OPENING SIZE)  
AS PART OF MODEL NUMBER WHEN PLACING ORDER**

ROUGH OPENING SIZES (WIDTH X HEIGHT)

Dimensions in Inches		WIDTH								
		5.4	7.4	9.4	11.4	13.4	15.4	17.4	19.4	21.4
HEIGHT	5.4	A1	B1	C1	D1	E1	F1	G1	H1	J1
	7.4	A2	B2	C2	D2	E2	F2	G2	H2	J2
	9.4	A3	B3	C3	D3	E3	F3	G3	H3	J3
	11.4	A4	B4	C4	D4	E4	F4	G4	H4	J4
	13.4	A5	B5	C5	D5	E5	F5	G5	H5	J5
	15.4	A6	B6	C6	D6	E6	F6	G6	H6	J6
	17.4	A7	B7	C7	D7	E7	F7	G7	H7	J7
	19.4	A8	B8	C8	D8	E8	F8	G8	H8	J8
	21.4	A9	B9	C9	D9	E9	F9	G9	H9	J9

QTY	TYPE	ROUGH OPENING	
		W"	X H"
27	D4	11.4	11.4

**SUBMITTAL APPROVAL**

<b>Job Name and Location</b>			
<b>Engineer</b>	Date	<b>Factory</b>	Date
<b>Mfr. Rep.</b>	Date	<b>Submitted By</b>	Date

MARCH 2006  
RETROFIT CONSTRUCTION  
S-VENT SECURITY PRODUCTS PAGE 5