

# S-VENT<sup>®</sup>

## SUBMITTAL SHEET



# Anemostat<sup>®</sup>

A MESTEK COMPANY

P.O. BOX 4938 • 1220 WATSONCENTER ROAD • CARSON, CA 90745-4206  
 (310) 835-7500 • FAX (310) 835-0448  
 e-mail: airsec@anemostat.com • website: www.anemostat.com

# SV2-\_-\_-ZB

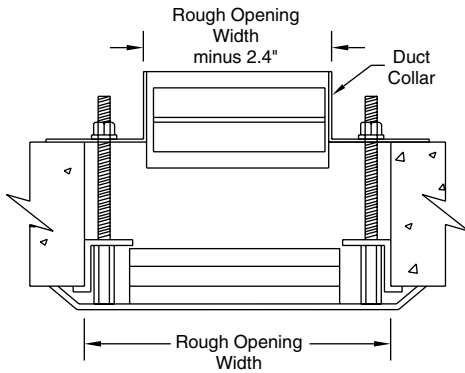
SPECIFY TYPE

MAXIMUM SECURITY GRILLE

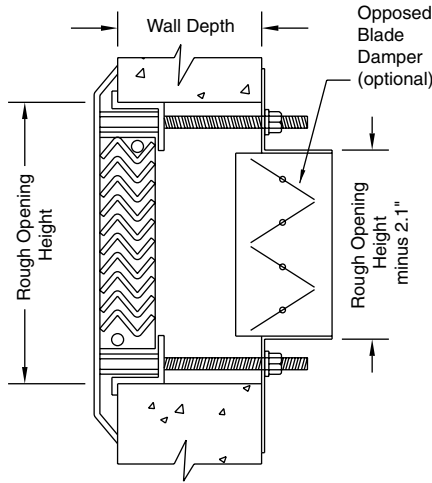
1/8" X 1/8" OPENING  
 with

FACE MOUNTED Z-BRACKET

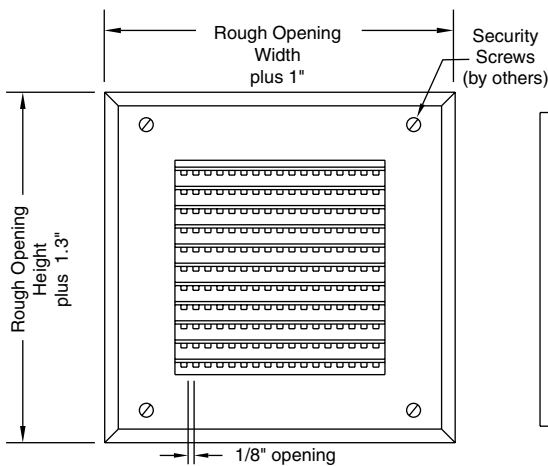
**TOP SECTION**



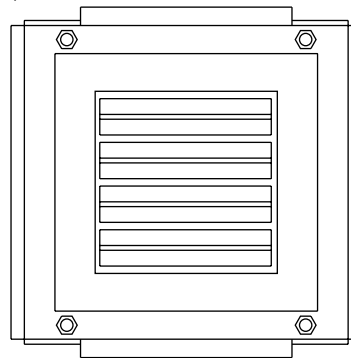
**SIDE SECTION**



**FRONT SECTION**



**FRONT SECTION without GRILLE, with OBD**



## PRODUCT FEATURES

### Face Flange

12 GA (standard)

### Material Type

Cold Rolled Steel (standard)

### Horizontal/Vertical Mullions

12 GA with 1 7/16" Neck Depth (std)

### Duct Collar

14 GA (standard)

**Opposed Blade Damper** (optional)  
 (shipped loose)

Front Operated

Rear Operated

### Coupling Nuts with Threaded Rods

(standard)

### Finish

Beige Powder Coat-5 to 7 mil (std)

White Powder Coat-5 to 7 mil (opt)

Other Powder Coat Colors \_\_\_\_\_

### Z-Bracket for Wall Mount

Aligns with Rear Mounting Bracket

**IMPORTANT:** It is the specifier's responsibility to properly configure the HVAC system to meet the appropriate level of comfort, safety, security and detention

**MUST SPECIFY TYPE (BASED ON ROUGH OPENING SIZE) AS PART OF MODEL NUMBER WHEN PLACING ORDER**

ROUGH OPENING SIZES (WIDTH X HEIGHT)

Dimensions in Inches		WIDTH								
		6.4	8.4	10.4	12.4	14.4	16.4	18.4	20.4	22.4
HEIGHT	6.1	A1	B1	C1	D1	E1	F1	G1	H1	J1
	8.1	A2	B2	C2	D2	E2	F2	G2	H2	J2
	10.1	A3	B3	C3	D3	E3	F3	G3	H3	J3
	12.1	A4	B4	C4	D4	E4	F4	G4	H4	J4
	14.1	A5	B5	C5	D5	E5	F5	G5	H5	J5
	16.1	A6	B6	C6	D6	E6	F6	G6	H6	J6
	18.1	A7	B7	C7	D7	E7	F7	G7	H7	J7
	20.1	A8	B8	C8	D8	E8	F8	G8	H8	J8
	22.1	A9	B9	C9	D9	E9	F9	G9	H9	J9

QTY	TYPE	ROUGH OPENING W" X H"	WALL DEPTH
27	C4	10.3 X 12.1	6"

## SUBMITTAL APPROVAL

<b>Job Name and Location</b>			
<b>Engineer</b>	Date	<b>Factory</b>	Date
<b>Mfr. Rep.</b>	Date	<b>Submitted By</b>	Date