

APPLICATION

- Parallel type, fan assisted air terminal with integral electric heating coil
- Provide electric resistance heating to perimeter spaces during occupied periods and night cycling temperature control with central fan systems shut down

FEATURES

Same as Model QPTS plus:

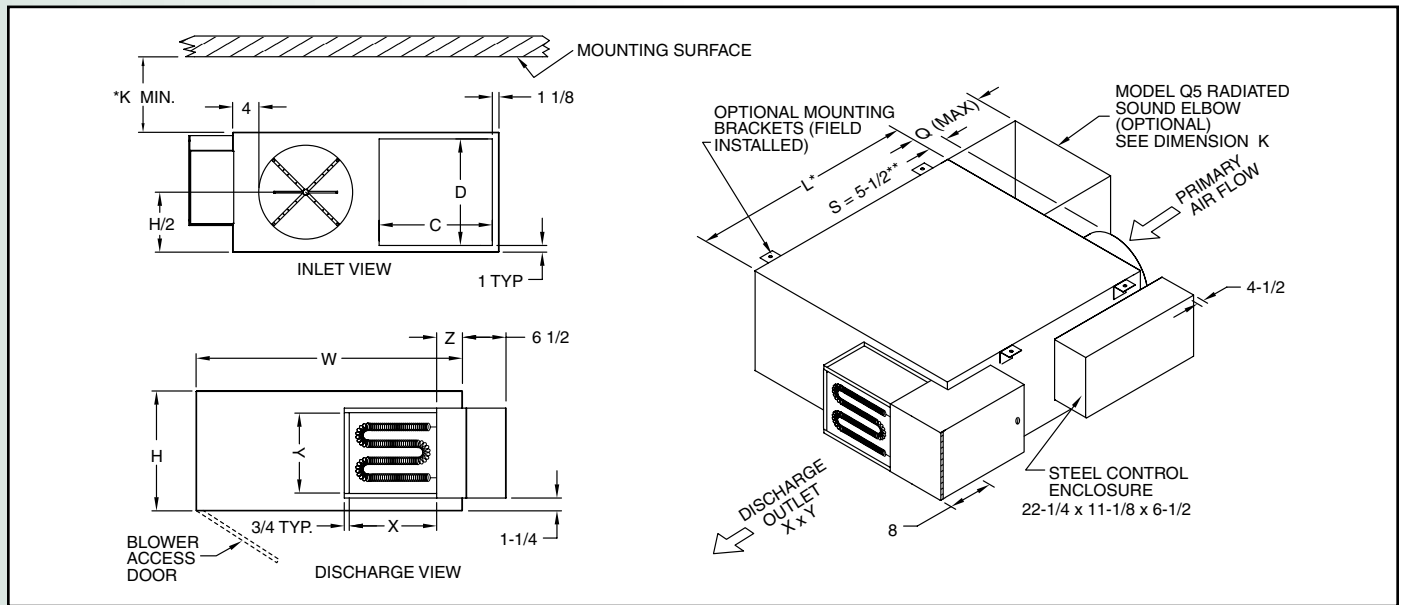
- Integral electric heating coil with nickel-chrome resistance wire
- Primary, auto reset thermal cutout
- Fan interlock relay for proof of air flow
- 24vac Class II transformer (unfused) as required for 24vac control systems
- PE switches for pneumatic control systems
- Magnetic de-energizing contactor per step
- Accepts flanged discharge duct connection
- Left hand control and heater cabinet position are standard



OPTIONS & ACCESSORIES

Same as Model QPTS plus:

- Door interlocking disconnect switch, non-fused
- Air flow switch in lieu of fan interlock relay
- Power fusing (fuses & fuse blocks)
- Manual reset secondary thermal cutout
- SSR modulating controller



Model Number QPTE	Cabinet Size	Motor H.P.	Nominal Inlet Diameter	Height H	Width W	Length L	Min. K	Discharge		Z	Induction		Q	Weight LB
								X	Y		C	D		
11706, 11707, 11708, 11709	1	1/6	6, 7, 8, 9	15	34	30	6	11-1/2	11	3	13	12	18	108
12506, 12507, 12508, 12509	1	1/4	6, 7, 8, 9	15	34	30	6	11-1/2	11	3	13	12	18	111
21709, 21710, 21712	2	1/6	9, 10, 12	18	40	34	6	14	12	3	17	16	18	123
22509, 22510, 22512	2	1/4	9, 10, 12	18	40	34	6	14	12	3	17	16	18	128
25009, 25010, 25012	2	1/2	9, 10, 12	18	40	34	6	14	12	3	17	16	18	133
35012, 35014, 35016	3	1/2	12, 14, 16	20	46	40	8	19	16	2-1/4	21	18	20	167
37512, 37514, 37516	3	3/4	12, 14, 16	20	46	40	8	19	16	2-1/4	21	18	20	172
31012, 31014, 31016	3	1	12, 14, 16	20	46	40	8	19	16	2-1/4	21	18	20	179