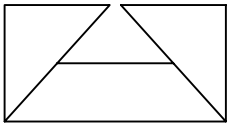


SUBMITTAL SHEET



®

from: **ANEMOSTAT**®

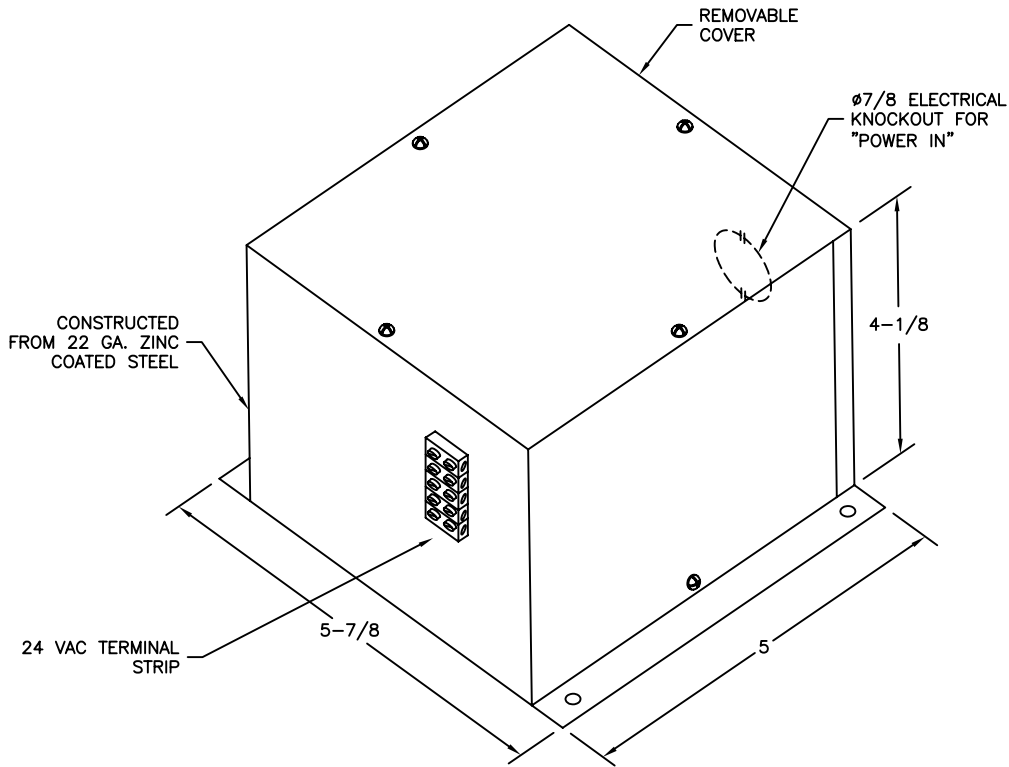
**A MESTEK COMPANY**

CARSON CA  
310-835-7500

MODEL  
**LA-24**  
LIGHT ALERT  
POWER SUPPLY  
FOR HEPA FILTERED  
PRODUCTS

FEATURES:

- Provides 24 VAC stepped down power supply for **Light Alert** filter monitoring system
- Use for up to 40 **Light Alert** units
- Available for 120, 208, 240, 277 Volt, single phase service
- Standard Finish is White



All Dimensions are in Inches

JOB NAME:	SUBMITTED BY:
LOCATION:	
ARCHITECT:	
ENGINEER:	DWG # MVD-0451
CONTRACTOR:	DATE 9-6-05 REV A