

Anemostat®

SUBMITTAL

A MESTEK COMPANY

1220 Watson Center Road • Carson, CA 90745-4206
 (310) 835-7500 • FAX (310) 835-0448
 airhelp@anemostat.com • www.anemostat.com

Model **LPL2-D**

LOW PRESSURE LOSS

AIR CONTROL VALVE

INSIDE DUCT

AIR CONTROL VALVES

PRODUCT FEATURES

- Airfoil blades resulting in low air pressure loss
- 4" opposed blades for low sound levels and uniform flow
- Designed for installation inside duct (nominal size - 1/4")
- Available with manual locking quadrant, pneumatic, or electric actuator. Locking quadrant shipped loose for field assembly.
- 1/2" diameter shaft extension kit shipped loose with all units.
- Minimum size is 7" wide x 11" high. Maximum size is 60" wide x 72" high
- Minimum torque required is 5 in-lbs per square foot of damper area.

CONSTRUCTION DETAILS

- Extruded aluminum frame and airfoil blades
- Mill finish
- 1/2" plated steel hex shafts eliminate blade slip
- Synthetic, molded shaft bearings (optional oil impregnated bronze bearings)
- Vinyl blade seals and stainless steel, compression type jamb seals

NOTE: Damper can be rotated 180° for LH or RH operator location

MODELS

LPL2-D-M Manual Adjustment, Inside Duct

LPL2-D-P Pneumatic Actuation, Inside Duct

Actuator Provided By:

- Others, Field Installed
- Factory, Installed

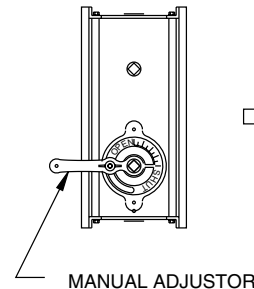
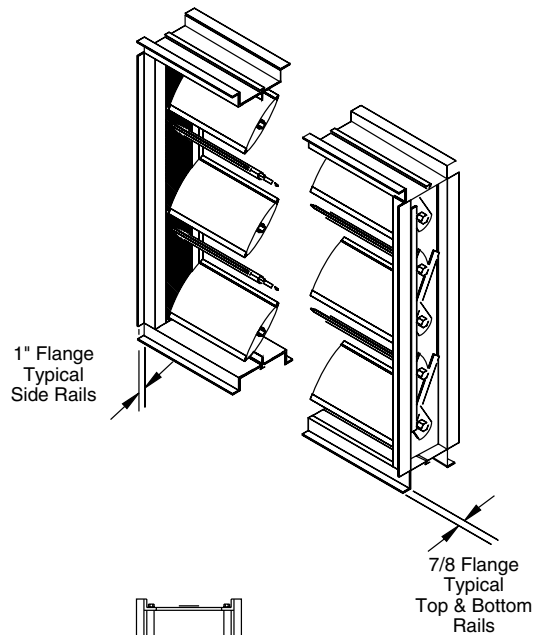
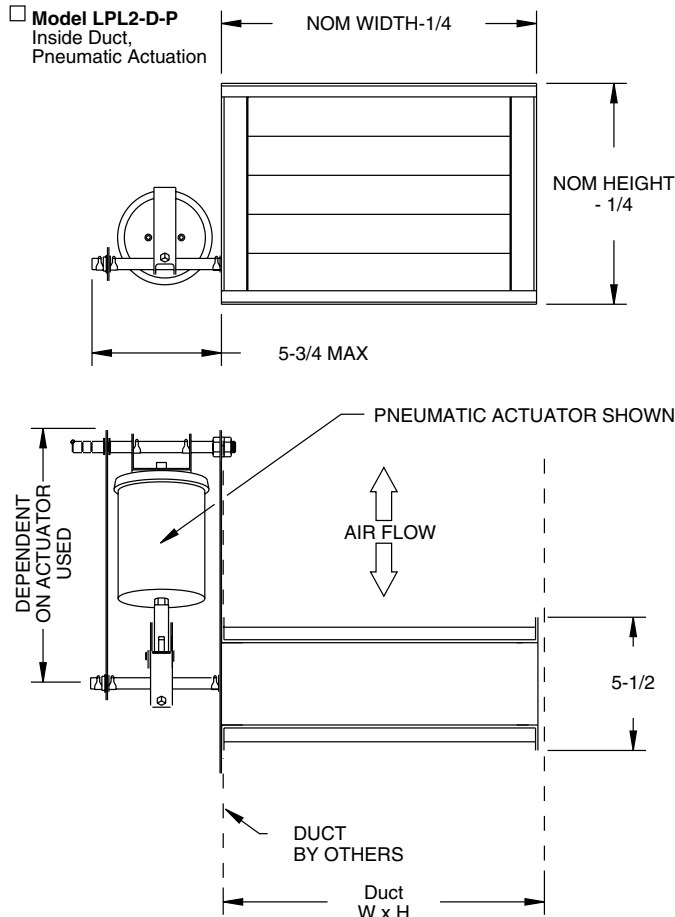
Spring Range 8-13 psi

- Normally Open
- Normally Closed

LPL2-D-E Electric Actuation, Inside Duct

Actuator Provided By:

- Others, Field Installed
- Factory, Installed



Model LPL2-D-M
Inside Duct, Manual Adjustment

All dimensions are in inches.

JOB NAME:

SUBMITTED BY: