

APPLICATION

- Grille / Register with integral filter compartment to allow "room-side" replaceable filter service
- Remove particulate at the zone level, extending life of central filter stations
- Models for both surface or suspended ceiling system installations
- Return filter grilles are typically located near the floor in sidewall applications.

PRODUCT FEATURES

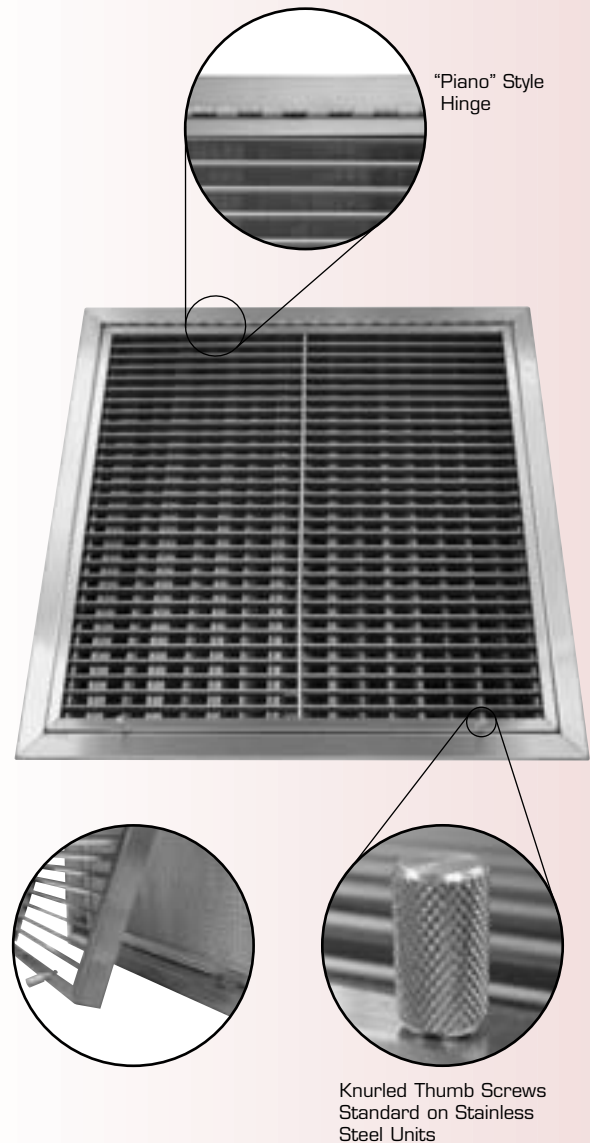
- Available in 304 or 316 stainless steel, aluminum, or steel materials
- All Anemostat return grilles are available as hinged, filter assemblies, including grid core and perforated units. See page C-7 for core options.
- Construction available for filters 1" thick (models ending in -81) or 2" thick (models ending in -82). Filters are ordered separately (see page C-10).
- Outer frame and inner grille assembly are attached with a rugged, continuous style "piano" hinge.
- Aluminum and steel hinged grille assemblies are held closed with 1/4-turn, low profile, truss-head style fasteners (quantity and location vary with size). Note various hardware items may vary from grille material – consult submittal sheet for details.
- Registers include factory attached, front-operated opposed blade volume control damper (Model OB1). Damper material is same as grille material.
- Surface mounted units include clearance holes inside the neck for concealed fastening
- Standard hinge location is parallel to the width dimension, on top side. Deflected blades point away from hinge.
- Arctic white finish is standard on steel and aluminum filter grilles. Stainless steel grilles have a satin polish finish on exposed frame surfaces only – blades are 2B mill finish.
- Neck sizes from 6" x 6" up to 48" x 48"

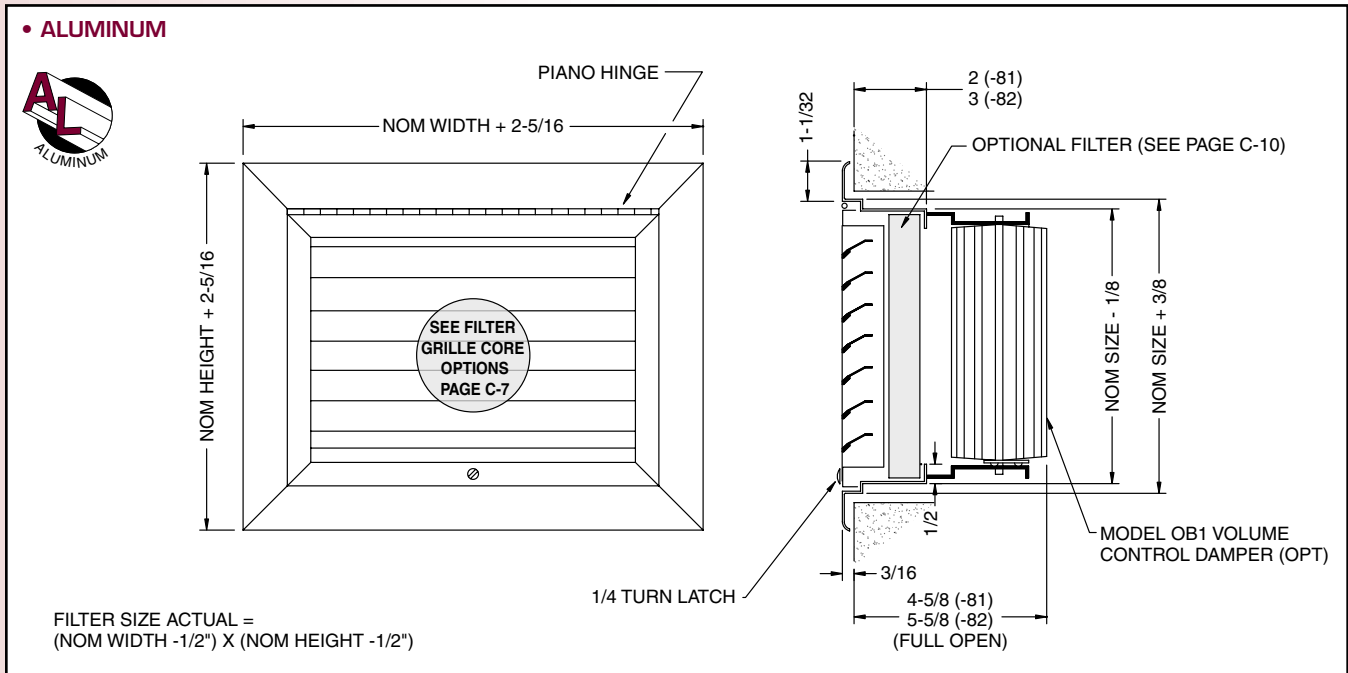
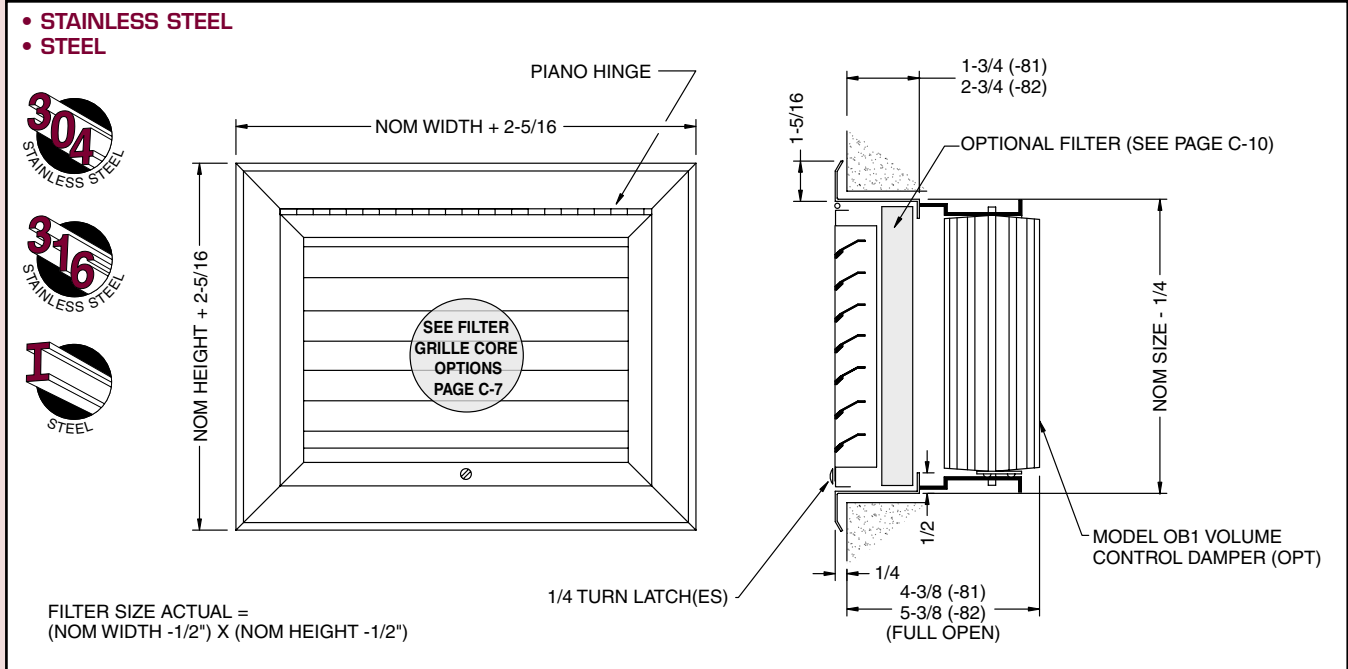
FILTER GRILLE OPTIONS

- Removable grille option where grille separates from filter frame
- All filter grille accessories are available in steel, aluminum, or stainless steel (304 or 316) materials
- White epoxy
- Optional latches including knurled thumb screws or wire rings
- Opposed blade volume control dampers (Model **OB1**) can be different material than grille. Cable driven dampers available for remote operation.
- Factory supplied cleanable mesh filters – aluminum or stainless steel (see page C-10)
- Model **SRA** square to round adapters

PERFORMANCE DATA

- Add pressure drop of grille and filter to determine unit static pressure loss.



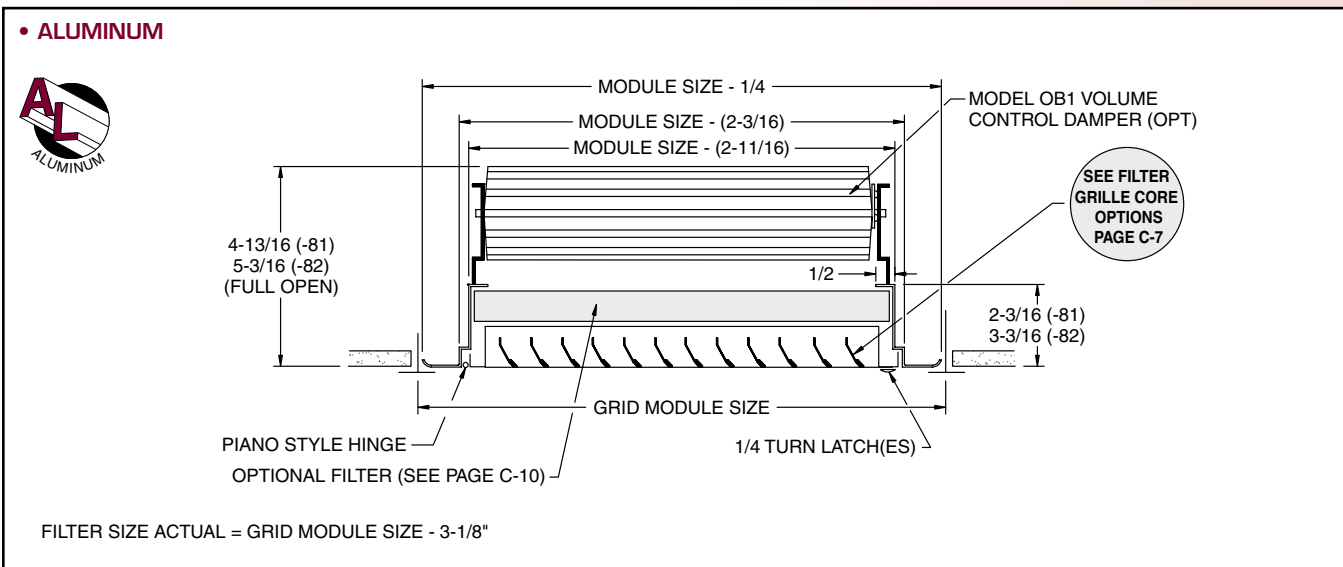
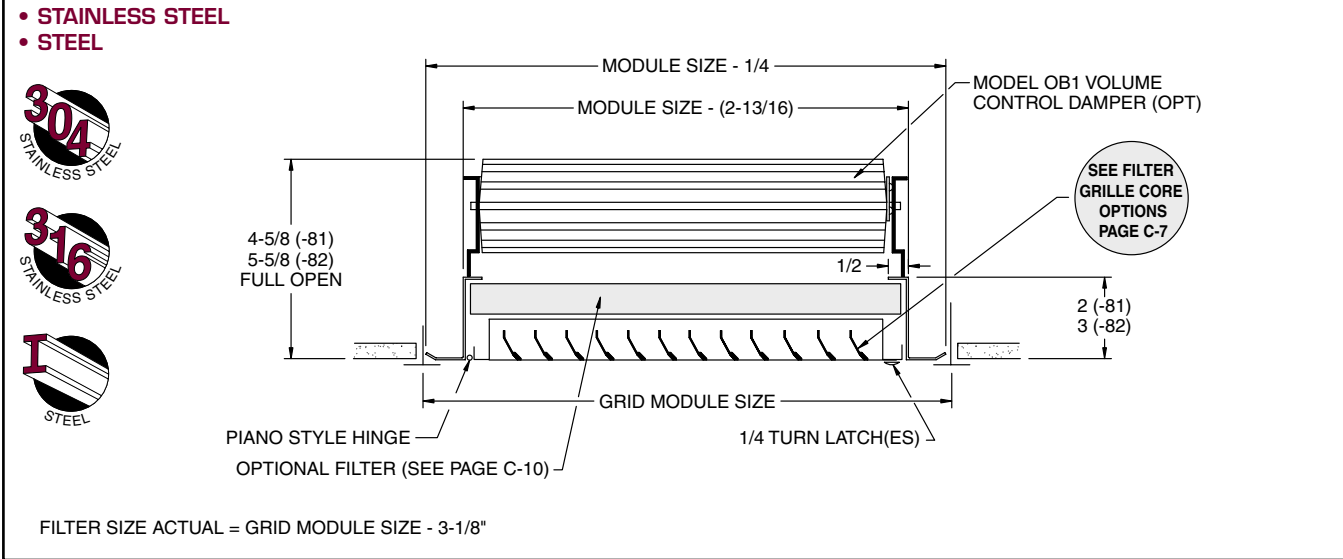


SURFACE MOUNTED - MODEL SELECTION

Material	3/4" Louver Spacing				1/2" Louver Spacing				Perforated Core		Grid Core 1/2x1/2x1/2	
	45° Deflection		0° Deflection		45° Deflection		0° Deflection		Grille	Register	Grille	Register
	Grille	Register	Grille	Register	Grille	Register	Grille	Register				
Steel	S3HD-81 SE3HD-81	S3HOD-81 SE3HOD-81	S3HS-81 S3HOS-81	S3HOS-81	S35HD-81	S35HOD-81	S35HS-81 S35HOS-81	S35HOS-81	S3P-81	S3PO-81	SGC5-81	SGC5O-81
Aluminum	X3HD-81 XE3HD-81	X3HOD-81 XE3HOD-81	X3HS-81 X3HOS-81	X3HOS-81	X35HD-81	X35HOD-81	X35HS-81 X35HOS-81	X35HOS-81	X3P-81	X3PO-81	XGC5-81	XGC5O-81
Stainless Steel	SS3HD-81	SS3HOD-81	SS3HS-81	SS3HOS-81	SS35HD-81	SS35HOD-81	SS35HS-81	SS35HOS-81	SS3P-81	SS3PO-81	SSGC5-81	SSGC5O-81

- Models constructed for 2" thick filters are designated as -82, example: S3HD-82, SS35HOD-82
- 1/2 x 1/2 x 1/2 Grid Core is always aluminum

- FULL FACED FILTER GRILLES
- ORDER BY GRID MODULE SIZE



AVAILABLE MODULE SIZES	
12 x 12	24 x 48
12 x 24	48 x 48
24 x 24	

LAY-IN T-BAR (FULL FACED) - MODEL SELECTION

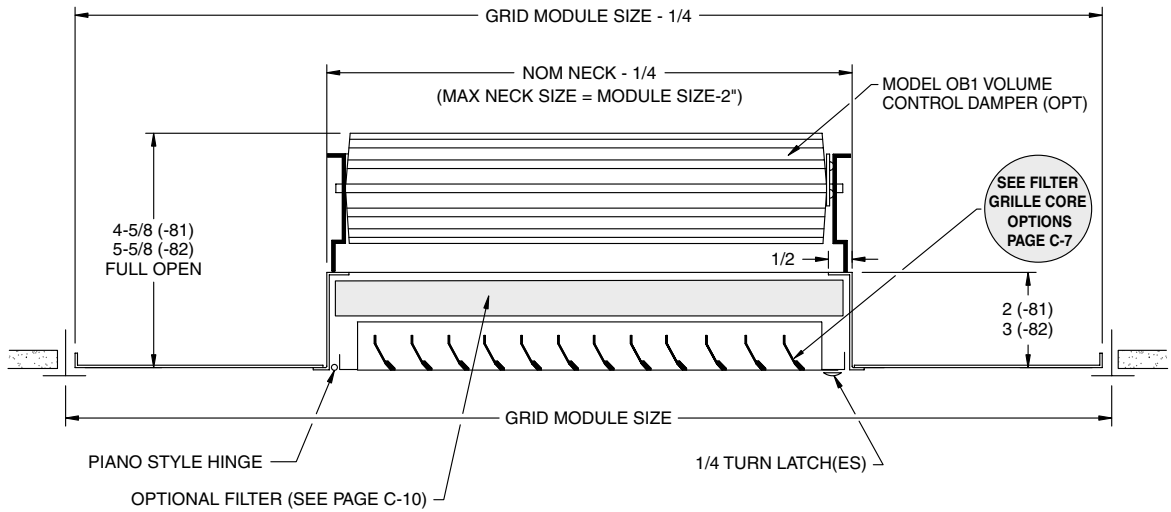
Material	3/4" Louver Spacing				1/2" Louver Spacing				Perforated Core		Grid Core 1/2x1/2x1/2	
	45° Deflection		0° Deflection		45° Deflection		0° Deflection		Grille	Register	Grille	Register
	Grille	Register	Grille	Register	Grille	Register	Grille	Register				
Steel	S3HD-81L SE3HD-81L	S3HOD-81L SE3HOD-81L	S3HS-81L	S3HOS-81L	S35HD-81L	S35HOD-81L	S35HS-81L	S35HOS-81L	S3P-81L	S3PO-81L	SGC5-81L	SGC50-81L
Aluminum	X3HD-81L XE3HD-81L	X3HOD-81L XE3HOD-81L	X3HS-81L	X3HOS-81L	X35HD-81L	X35HOD-81L	X35HS-81L	X35HOS-81L	X3P-81L	X3PO-81L	XGC5-81L	XGC50-81L
Stainless Steel	SS3HD-81L	SS3HOD-81L	SS3HS-81L	SS3HOS-81L	SS35HD-81L	SS35HOD-81L	SS35HS-81L	SS35HOS-81L	SS3P-81L	SS3PO-81L	SSGC5-81L	SSGC50-81L

- Models constructed for 2" thick filters are designated as -82L, example: S3HD-82L, SS35HOD-82L
- 1/2 x 1/2 x 1/2 Grid Core is always aluminum

• SPECIFY MODULE SIZE AND NECK SIZE

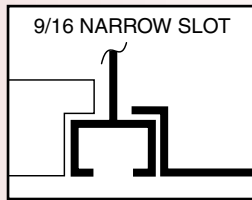
- STAINLESS STEEL
- ALUMINUM
- STEEL

LAY-IN T-BAR
MODEL S3HD-FPL-81,-82 SHOWN

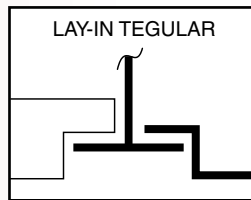


FILTER SIZE ACTUAL = (NOM WIDTH - 1/2") X (NOM HEIGHT - 1/2")

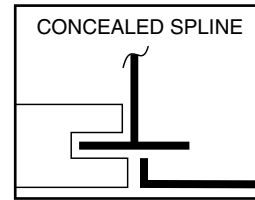
FPM



FPT



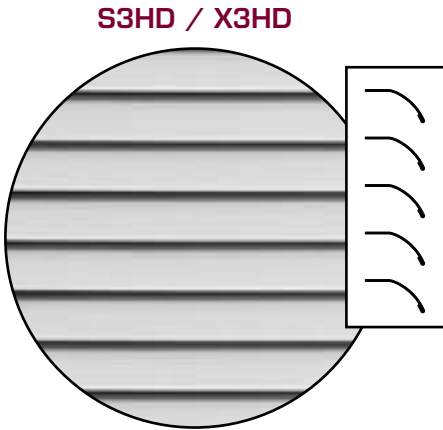
FPC



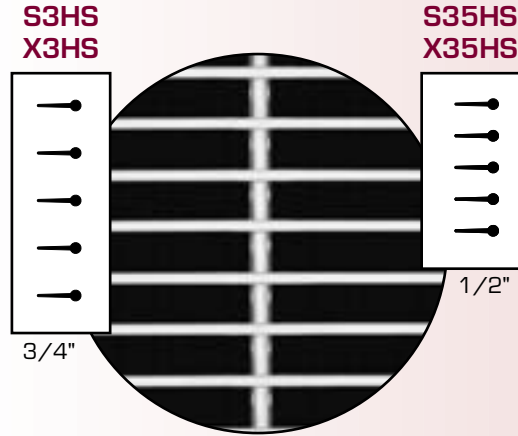
LAY-IN T-BAR (WITH EXTENSION PANEL) - MODEL SELECTION

Material	3/4" Louver Spacing				1/2" Louver Spacing				Perforated Core		Grid Core 1/2x1/2x1/2	
	45° Deflection		0° Deflection		45° Deflection		0° Deflection					
	Grille	Register	Grille	Register	Grille	Register	Grille	Register	Grille	Register	Grille	Register
Steel	S3HD-FPL-81	S3HOD-FPL-81	S3HS-FPL-81	S3HOS-FPL-81	S35HD-FPL-81	S35HOD-FPL-81	S35HS-FPL-81	S35HOS-FPL-81	S3P-FPL-81	S3PO-FPL-81	SGC5-FPL-81	SGC5O-FPL-81
	SE3HD-FPL-81	SE3HOD-FPL-81										
Aluminum	X3HD-FPL-81	X3HOD-FPL-81	X3HS-FPL-81	X3HOS-FPL-81	X35HD-FPL-81	X35HOD-FPL-81	X35HS-FPL-81	X35HOS-FPL-81	X3P-FPL-81	X3PO-FPL-81	XGC5-FPL-81	XGC5O-FPL-81
	XE3HD-FPL-81	XE3HOD-FPL-81										
Stainless Steel	SS3HD-FPL-81	SS3HOD-FPL-81	SS3HS-FPL-81	SS3HOS-FPL-81	SS35HD-FPL-81	SS35HOD-FPL-81	SS35HS-FPL-81	SS35HOS-FPL-81	SS3P-FPL-81	SS3PO-FPL-81	SSGC5-FPL-81	SSGC5O-FPL-81

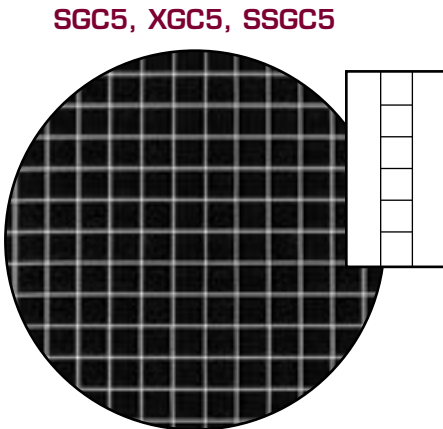
- Models shown are for Lay-in T-Bar ceiling systems. Substitute L for other ceiling types.
- Models constructed for 2" thick filters are designated as -82, example: S3HD-FPL-82, SS35HOD-FPT-82
- 1/2 x 1/2 x 1/2 Grid Core is always aluminum



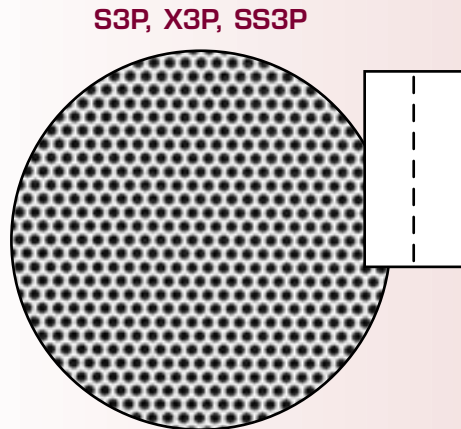
45° Deflection
3/4" Blade Spacing



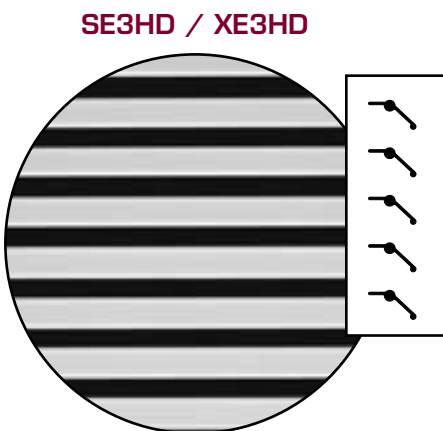
0° Deflection
1/2" and 3/4" Blade Spacing



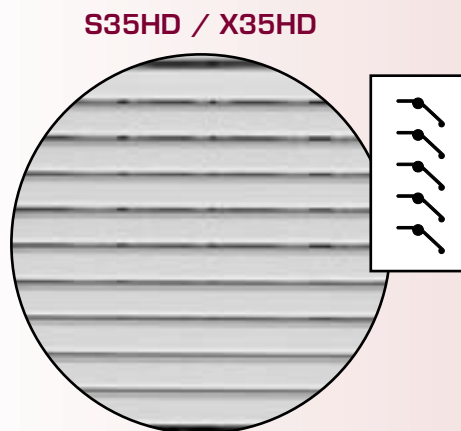
1/2" x 1/2" x 1/2" Grid Core
(Aluminum)



Perforated Core
3/16" ϕ holes on
1/4" staggered centers (50% F.A.)



45° Deflection
3/4" Blade Spacing
Enhanced Performance



45° Deflection
1/2" Blade Spacing

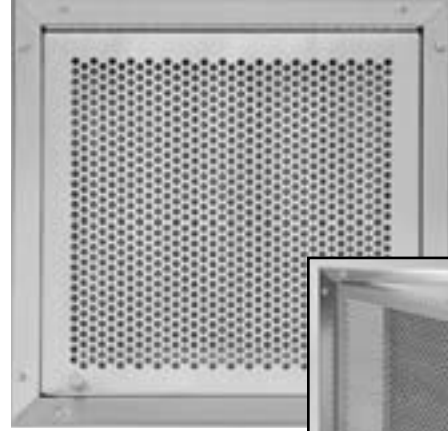
APPLICATION

- Stainless steel filter grille designed for wash-down applications
- Grille / Register with integral filter compartment to allow "room-side" replaceable filter service
- Remove particulate at the zone level, extending life of central filter stations
- Return filter grilles are typically located near the floor in sidewall applications.

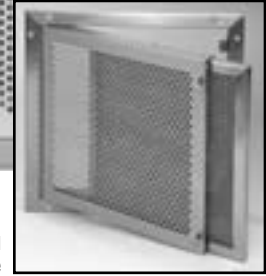
PRODUCT FEATURES

- Heavy 16 gauge 304 or 316 stainless steel construction
- Flat face border design is easily sealed at wall for a liquid tight installation – no miters at corners insure leak-proof design
- Units include clearance holes inside the neck for concealed fastening
- Perforated face pattern – 5/16" diameter holes on 7/16" centers, 46% free area
- Built-in filter stop for 1" or 2" thick filters (models ending in -81,-82). Filters are ordered separately (see page C-10).
- Outer frame and inner grille assembly are attached with a rugged, continuous style "piano" hinge.
- Hinged grille is held closed with 1/4-turn, knurled knobs (quantity and location vary with size).
- Standard hinge location is parallel to width dimension on top side.
- Satin polished finish on exposed face and frame surfaces only – 2B mill finish on all other surfaces.
- Neck sizes from 6" x 6" up to 24" x 24"

Top Hinge

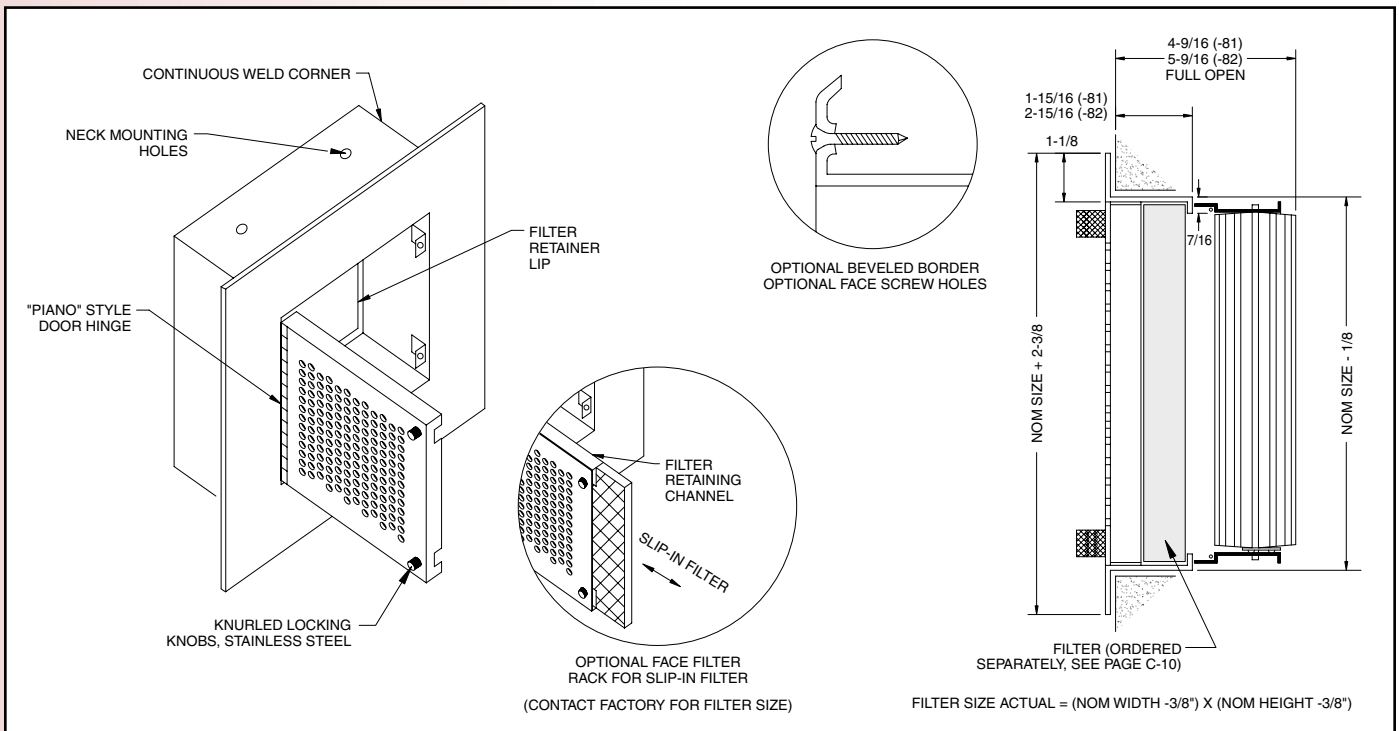


Left Hand Hinge



OPTIONS

- Face-mounted filter rack – filter slides in behind hinged face
- Stainless steel front-operated opposed blade volume control damper (Model **OB1**). Factory welded to neck.
- Other latch configurations available including bail handles, wing head, and tool operated fasteners
- Weep holes as required
- Cable driven dampers available for remote operation
- Beveled, mitered, welded outer frame
- Factory supplied cleanable mesh filters – aluminum or stainless steel (see page C-10)
- Model **SRA** square to round adapters



APPLICATION

- Perforated ceiling return with integral filter compartment to allow "room-side" replaceable filter service
- Remove particulate at the zone level, extending life of central filter stations
- Models available for all suspended ceiling system installations

PRODUCT FEATURES

- Available in 304 or 316 stainless steel, aluminum, or steel materials
- Constructed for use with 1" filters (models ending in -81) or 2" filters (models ending in -82)
- Perforated face pattern – 3/16" diameter holes on 1/4" centers, 50% free area
- Hinged, removable face for easy room-side filter replacement – concealed hinge clips are steel for all applications.
- Filters are ordered separately (see page C-10).
- Arctic white finish is standard on steel and aluminum filter grilles. Stainless steel grilles have a satin polish finish on face only.

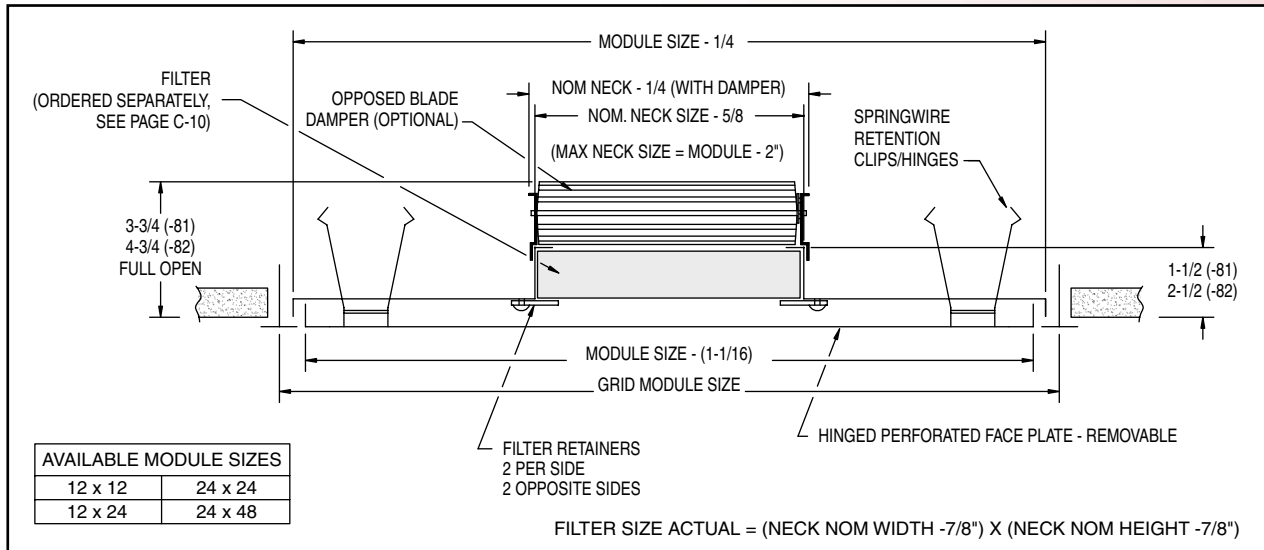
OPTIONS

- Face-operated, opposed blade volume control damper (Model **OB1**). Damper material is same as return material. Field installed.
- White face, black backpan.
- All filter grille accessories are available in steel, aluminum, or stainless steel (304 or 316) materials
- White epoxy
- Factory supplied cleanable mesh filters – aluminum or stainless steel (see page C-10).

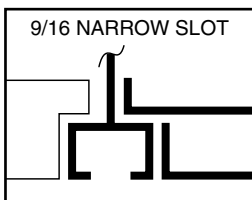


CEILING TYPE	1" FILTER	2" FILTER
Lay-In T-Bar	3PRD-81	3PRD-82
9/16" Narrow Slot	3MD-81	3MD-82
Tegular	3PTD-81	3PTD-82
Concealed Spline	3PCD-81	3PCD-82

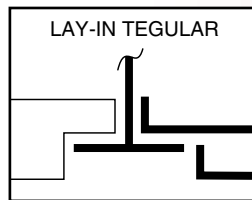
Model 3PRD-81,-82 - Lay-In T-Bar



Model 3MD-81,-82
Square / Rectangular Necks



Model 3PTD-81,-82
Square / Rectangular Necks



Model 3PCD-81,-82
Square / Rectangular Necks

