

APPLICATION

- Series type, fan assisted air terminals with integral hot water heating coil
- Provide hot water heating to perimeter spaces during occupied periods and night shut down modes. Night cycling temperature control with central fan systems shut down.

FEATURES

Same as Model ESTS plus:

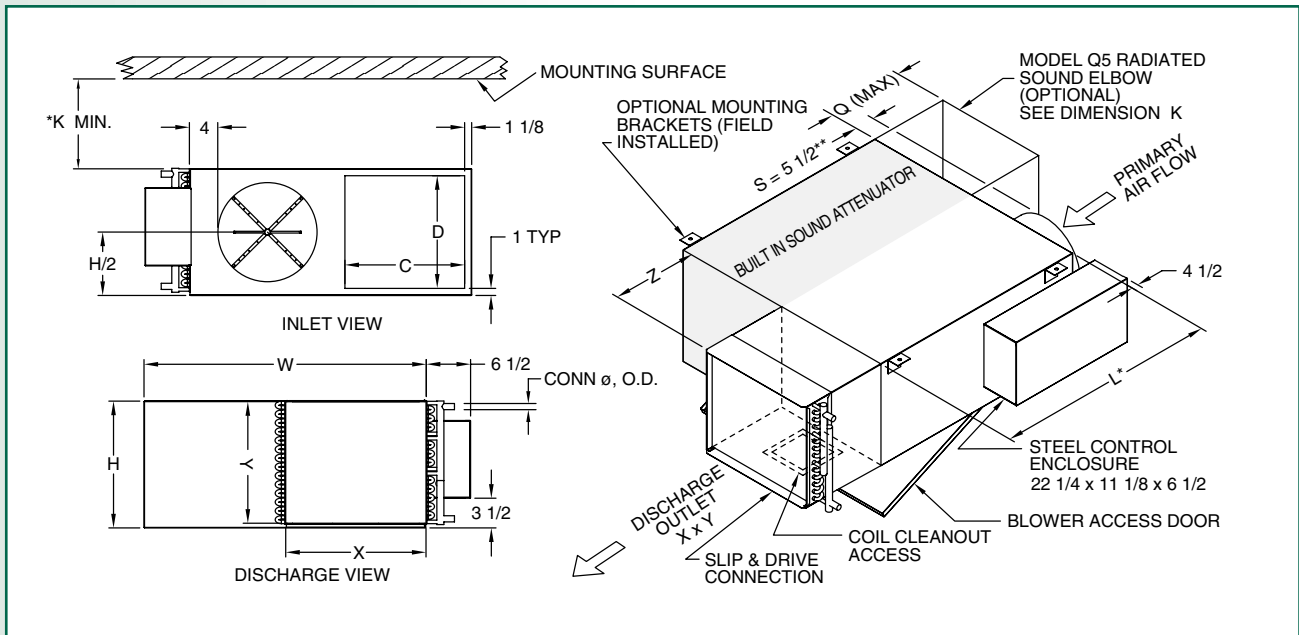
- 1 or 2 row hot water coils
- 1/2" O.D. copper tubes, .016" wall thickness, mechanically expanded in fins. Manifolds are minimum .028" wall thickness.
- Aluminum corrugated fins with rippled edges, .0055" thick, 10 per inch.
- Designed for maximum heat transfer and low water pressure drops using single and multi-circuited designs.
- Performance data per ARI Standard 410
- Factory pressure tested for leaks at 300 psi, burst tested at 450 psi, ambient temperatures.
- 20 gauge galvanized sheet metal casing with 18 gauge end plates
- "Slip & Drive" connection provided for metal discharge duct connection
- Connections are male solder headers.



OPTIONS & ACCESSORIES

Same as Model QSTS plus:

- Right hand or left hand coil connection – factory configured
- Coil clean-out access door
- "Steam" construction available. Contact your local Anemostat representative.



Model Number ESTW	Motor H.P.	Nominal Inlet Diameter	Height H	Width W	Length L	Min. K	Discharge			Induction Q	1 ROW COIL			2 ROW COIL			
							X	Y	C		D	Z	LB	CONN ø	Z	LB	CONN ø
3306, 3307, 3308 3309, 3310	1/3	6, 7, 8 9, 10	18	32	36	6	20	17 1/2	12	16	18	12 1/4	138	7/8	13 1/2	141	7/8
5006, 5007, 5008, 5009 5010, 5012, 5014	1/2	6, 7, 8, 9 10, 12, 14	18	40	40	6	20	17 1/2	17	16	18	12 1/4	159	7/8	13 1/2	164	7/8
7507, 7508, 7509 7510, 7512, 7514	3/4	7, 8, 9, 10, 12, 14	20	48	48	8	24	17 1/2	21	18	20	12 1/4	207	7/8	13 1/2	212	7/8
1009, 1010, 1012 1014, 1016	1	9, 10, 12 14, 16	20	48	48	8	24	17 1/2	21	18	20	12 1/4	211	7/8	13 1/2	217	7/8