

Anemostat[®]
SUBMITTAL
 A MESTEK COMPANY

1220 Watson Center Road • Carson, CA 90745-4206
 (310) 835-7500 • FAX (310) 835-0448
 airhelp@anemostat.com • www.anemostat.com

Model **VT-S**
VORTECH SWIRL DIFFUSER
 SURFACE MOUNTED

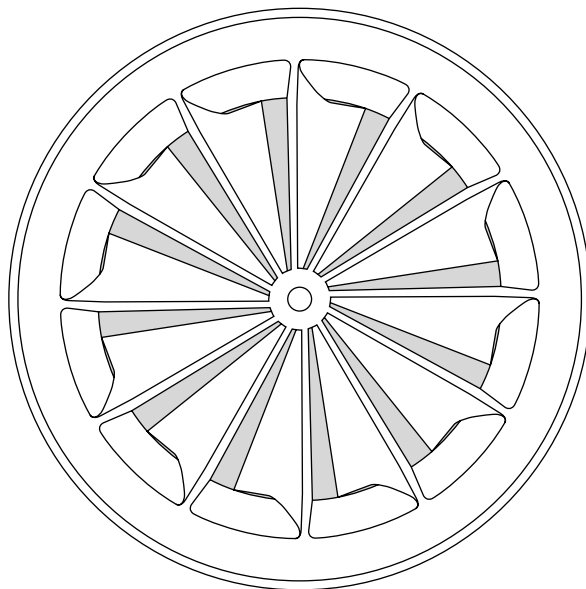
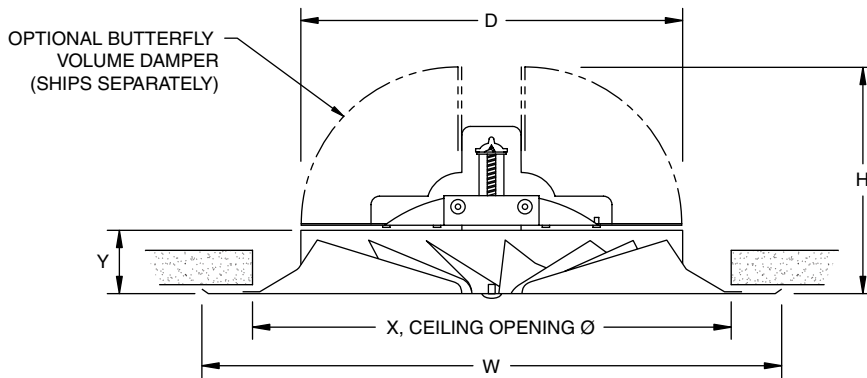
DIFFUSERS

PRODUCT FEATURES

- Radial faced diffuser maintains high induction regardless of size
- Effective outlet area changes in proportion to inlet diameter – NO use of round reducers to adapt a large diffuser for small necks!!!!
- Available neck diameters: 8",10",12",14",16"

CONSTRUCTION DETAILS

Material: Steel
Finish: Durable, white baked finish



| MODEL | D | H | W | X, Ø | Y |
|---------|--------|---------|----|------|-------|
| VT-S-8 | 7-7/8 | 4-15/16 | 12 | 10 | 1-1/4 |
| VT-S-10 | 9-7/8 | 5-15/16 | 15 | 13 | 1-3/8 |
| VT-S-12 | 11-7/8 | 6-15/16 | 18 | 16 | 1-5/8 |
| VT-S-14 | 13-7/8 | 7-15/16 | 21 | 19 | 2-1/8 |
| VT-S-16 | 15-7/8 | 8-15/16 | 24 | 22 | 2-1/8 |

All dimensions are in inches.

JOB NAME:

SUBMITTED BY: