

Anemostat[®]
SUBMITTAL
 A MESTEK COMPANY

1220 Watson Center Road • Carson, CA 90745-4206
 (310) 835-7500 • FAX (310) 835-0448
 airhelp@anemostat.com • www.anemostat.com

Model **VT-L**
VORTECH SWIRL DIFFUSER
 LAY-IN T-BAR

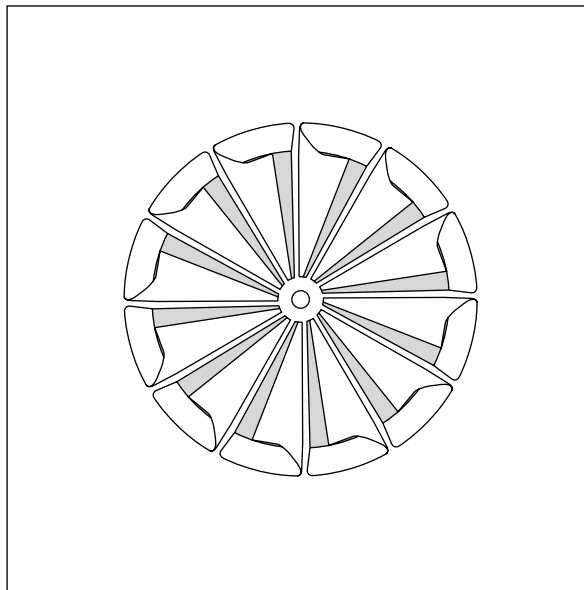
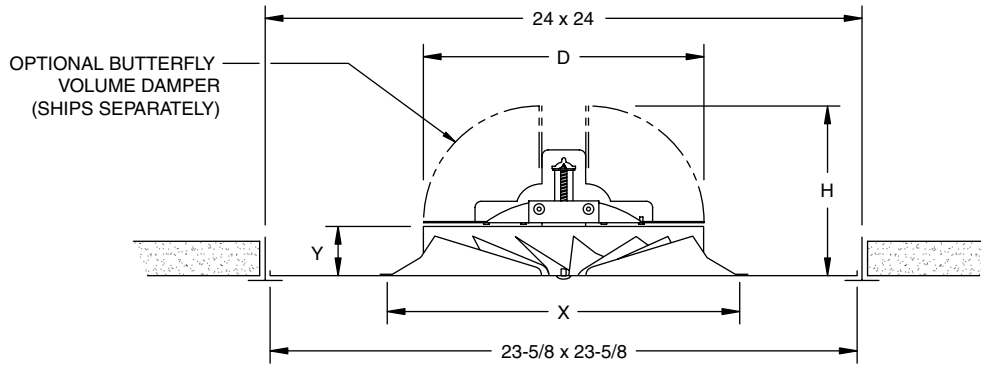
DIFFUSERS

PRODUCT FEATURES

- Radial faced diffuser maintains high induction regardless of size
- Effective outlet area changes in proportion to inlet diameter – NO use of round reducers to adapt a large diffuser for small necks!!!!
- Available neck diameters: 8",10",12",14",16"

CONSTRUCTION DETAILS

Material: Steel
Finish: Durable, white baked finish



MODEL	D	H	X	Y
VT-L-8	7-7/8	4-15/16	10	1-1/4
VT-L-10	9-7/8	5-15/16	13	1-3/8
VT-L-12	11-7/8	6-15/16	16	1-5/8
VT-L-14	13-7/8	7-15/16	19	2-1/8
VT-L-16	15-7/8	8-15/16	22	2-1/8

All dimensions are in inches.

JOB NAME:

SUBMITTED BY: