

# S-VENT<sup>®</sup>

## SUBMITTAL SHEET



# Anemostat<sup>®</sup>

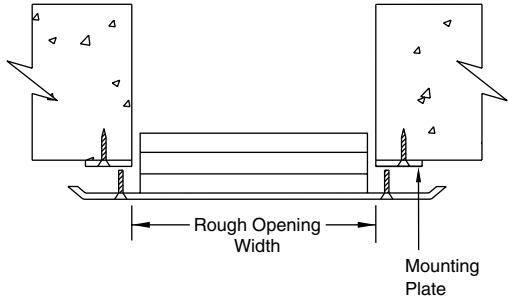
A MESTEK COMPANY

P.O. BOX 4938 • 1220 WATSONCENTER ROAD • CARSON, CA 90745-4206  
 (310) 835-7500 • FAX (310) 835-0448  
 e-mail: airsec@anemostat.com • website: www.anemostat.com

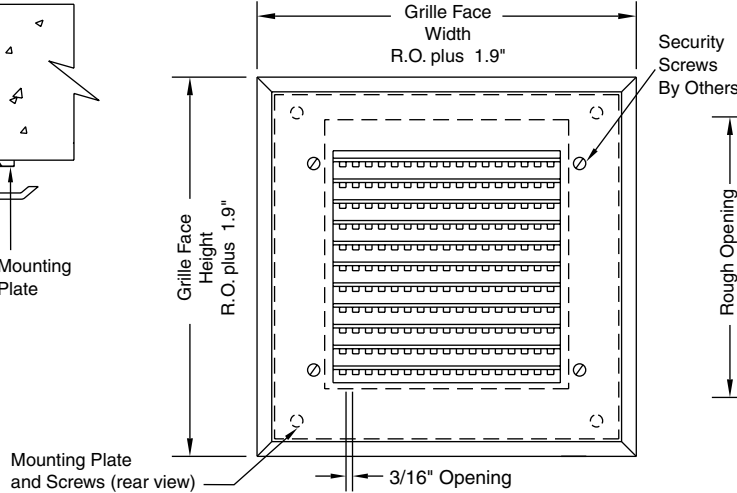
# SSV42-\_\_-FM

SPECIFY TYPE  
**MAXIMUM SECURITY GRILLE**  
 3/16" X 3/16" OPENING  
 with  
 FACE MOUNTED GRILLE  
 and PLATE

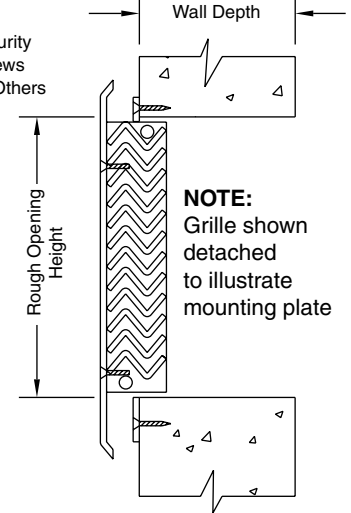
**TOP SECTION**



**FRONT SECTION**



**SIDE SECTION**



**IMPORTANT:** It is the specifier's responsibility to properly configure the HVAC system to meet the appropriate level of comfort, safety, security and detention

## PRODUCT FEATURES

### Face Flange

14 GA (standard)

### Material Type

Stainless Steel (standard)

### Horizontal/Vertical Mullions

16 GA with 1 7/16" Neck Depth (std)

### Finish

2B Mill Finish (std)

Beige Powder Coat-5 to 7 mil (opt)

White Powder Coat-5 to 7 mil (opt)

Other Powder Coat Colors \_\_\_\_\_

### Special Mounting Plate

14 GA Galvanized (standard)

**MUST SPECIFY TYPE (BASED ON ROUGH OPENING SIZE)  
 AS PART OF MODEL NUMBER WHEN PLACING ORDER**

ROUGH OPENING SIZES (WIDTH X HEIGHT)

Dimensions in Inches	WIDTH									
	5.4	7.4	9.4	11.4	13.4	15.4	17.4	19.4	21.4	
HEIGHT	5.4	A1	B1	C1	D1	E1	F1	G1	H1	J1
	7.4	A2	B2	C2	D2	E2	F2	G2	H2	J2
	9.4	A3	B3	C3	D3	E3	F3	G3	H3	J3
	11.4	A4	B4	C4	D4	E4	F4	G4	H4	J4
	13.4	A5	B5	C5	D5	E5	F5	G5	H5	J5
	15.4	A6	B6	C6	D6	E6	F6	G6	H6	J6
	17.4	A7	B7	C7	D7	E7	F7	G7	H7	J7
	19.4	A8	B8	C8	D8	E8	F8	G8	H8	J8
	21.4	A9	B9	C9	D9	E9	F9	G9	H9	J9

QTY	TYPE	ROUGH OPENING	
		W"	X H"
27	D4	11.4	11.4

## SUBMITTAL APPROVAL

<b>Job Name and Location</b>			
<b>Engineer</b>	Date	<b>Factory</b>	Date
<b>Mfr. Rep.</b>	Date	<b>Submitted By</b>	Date

APRIL 2007  
 RETROFIT CONSTRUCTION  
 STAINLESS STEEL

S-VENT SECURITY PRODUCTS PAGE 7