

S-VENT[®]

SUBMITTAL SHEET



Anemostat[®]

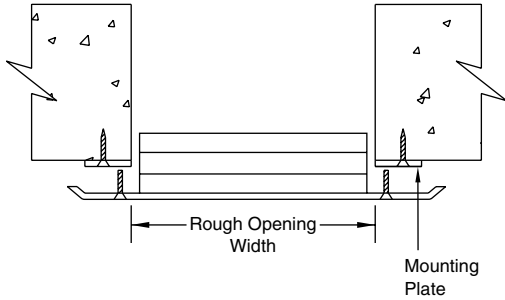
A MESTEK COMPANY

P.O. BOX 4938 • 1220 WATSONCENTER ROAD • CARSON, CA 90745-4206
 (310) 835-7500 • FAX (310) 835-0448
 e-mail: airsec@anemostat.com • website: www.anemostat.com

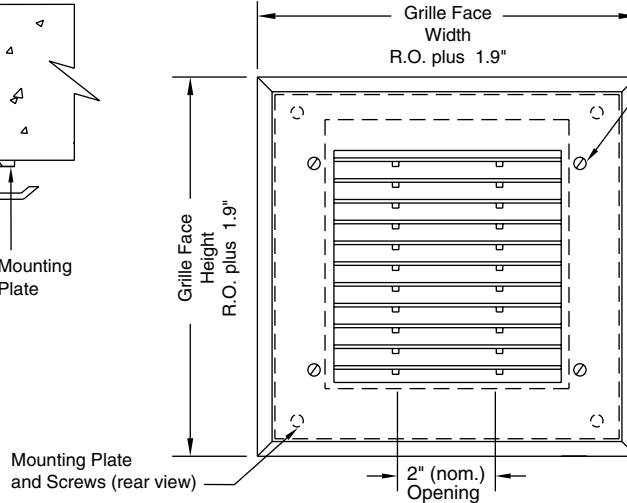
SSV26-__-FM

SPECIFY TYPE
MAXIMUM SECURITY GRILLE
 2" (nom.) X 3/16" OPENING
 with
 FACE MOUNTED GRILLE
 and PLATE

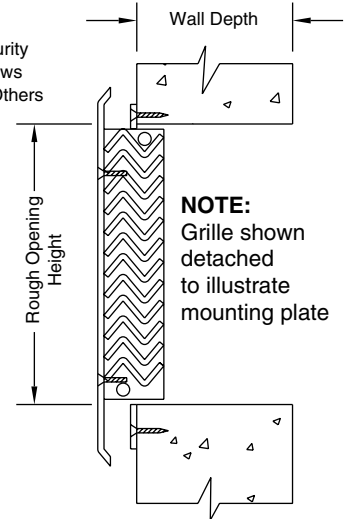
TOP SECTION



FRONT SECTION



SIDE SECTION



IMPORTANT: It is the specifier's responsibility to properly configure the HVAC system to meet the appropriate level of comfort, safety, security and detention

PRODUCT FEATURES

Face Flange

14 GA (standard)

Material Type

Stainless Steel (standard)

Horizontal/Vertical Mullions

14 GA with 1 7/16" Neck Depth (std)

Finish

2B Mill Finish (std)

Beige Powder Coat-5 to 7 mil (opt)

White Powder Coat-5 to 7 mil (opt)

Other Powder Coat Colors _____

Special Mounting Plate

14 GA Galvanized (standard)

MUST SPECIFY TYPE (BASED ON ROUGH OPENING SIZE) AS PART OF MODEL NUMBER WHEN PLACING ORDER

ROUGH OPENING SIZES (WIDTH X HEIGHT)

Dimensions in Inches		WIDTH								
		5.4	7.4	9.4	11.4	13.4	15.4	17.4	19.4	21.4
HEIGHT	5.4	A1	B1	C1	D1	E1	F1	G1	H1	J1
	7.4	A2	B2	C2	D2	E2	F2	G2	H2	J2
	9.4	A3	B3	C3	D3	E3	F3	G3	H3	J3
	11.4	A4	B4	C4	D4	E4	F4	G4	H4	J4
	13.4	A5	B5	C5	D5	E5	F5	G5	H5	J5
	15.4	A6	B6	C6	D6	E6	F6	G6	H6	J6
	17.4	A7	B7	C7	D7	E7	F7	G7	H7	J7
	19.4	A8	B8	C8	D8	E8	F8	G8	H8	J8
	21.4	A9	B9	C9	D9	E9	F9	G9	H9	J9

QTY	TYPE	ROUGH OPENING	
		W"	X H"
27	D4	11.4	11.4

SUBMITTAL APPROVAL

Job Name and Location			
Engineer	Date	Factory	Date
Mfr. Rep.	Date	Submitted By	Date

APRIL 2007
 RETROFIT CONSTRUCTION
 STAINLESS STEEL
 S-VENT SECURITY PRODUCTS PAGE 5