

# Anemostat®

## SUBMITTAL

A MESTEK COMPANY

1220 Watson Center Road • Carson, CA 90745-4206  
 (310) 835-7500 • FAX (310) 835-0448  
 airhelp@anemostat.com • www.anemostat.com

for  
TechZone  
Ceilings

Model **TAZR-100**  
**STRAIGHT LINE**  
**ADJUSTABLE DIFFUSER**  
 15/16" TEGULAR  
 1" SLOT WIDTH

## DIFFUSERS

### PRODUCT FEATURES

- Designed for use with Armstrong TechZone Ceiling Systems
- Standard lengths = 24", 30", 36", 48", 60", 72"  
(custom lengths available)
- 1" Slot Width, 1 or 2 slots  
(2 slot configuration shown)
- Includes plenum mounting yokes

### CONSTRUCTION DETAILS

- Extruded aluminum, adjustable linear slot diffuser

#### Finish:

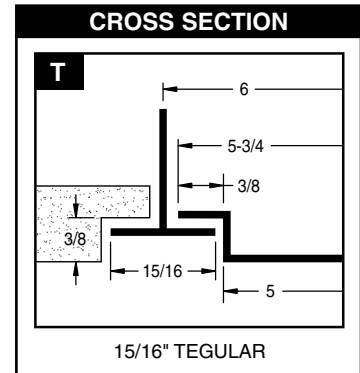
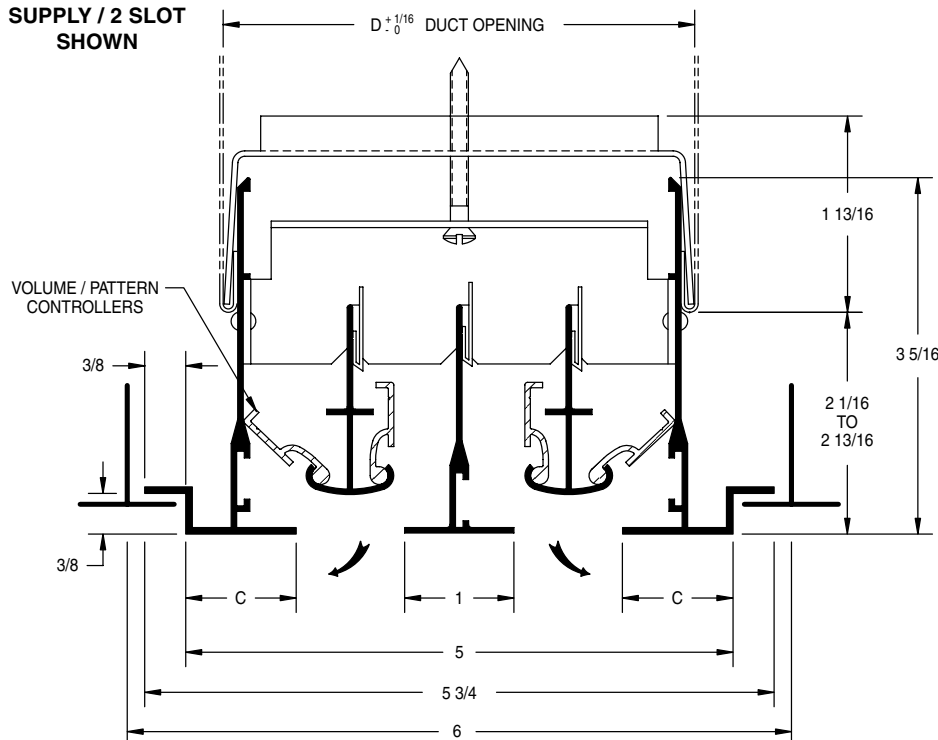
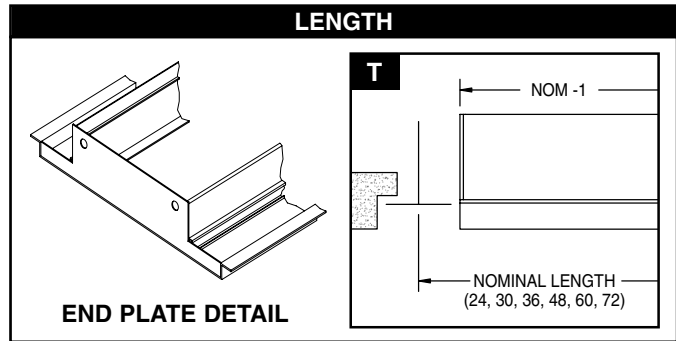
- Arctic White Border and Center Tees, Black Volume / Pattern Controllers
- Optional Anemostat Color
- Custom Color Match

### MODELS

#### Supply Diffusers

- TAZR-S-T** 15/16" Tegular Ceiling
- Returns (No Volume / Pattern Controllers)**
- TAZR-R-T** 15/16" Tegular Ceiling

# OF SLOTS	C	D
1	2	2-5/16
2	1	4-5/16



Armstrong and TechZone are registered trademarks of Armstrong World Industries, Inc.

All dimensions are in inches.

JOB NAME:

SUBMITTED BY: