



TECHNICAL DATA

FROM

Anemostat

Door Products

4958 Stout Dr. #119, San Antonio, TX 78219
 PH: 210.662.6300 • FAX: 210.662.2828

e-mail: door@anemostat.com • website: www.anemostat.com

LoPro™

LO-PROFILE METAL VISION FRAME



UNDERWRITERS'
LABORATORIES

FIRE
RATINGS

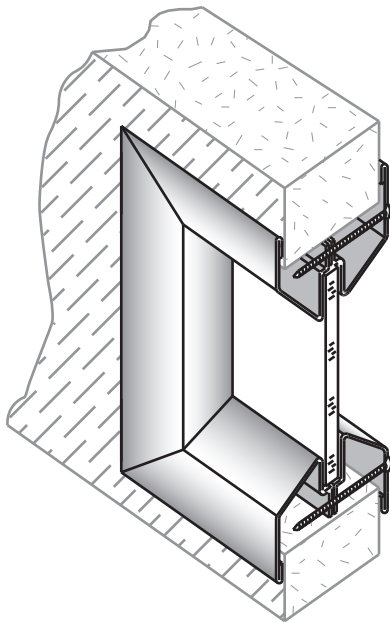


Intertek
WARNOCK
HERSEY

EN-1634
European Standard

B.S.-476.22
British Standard

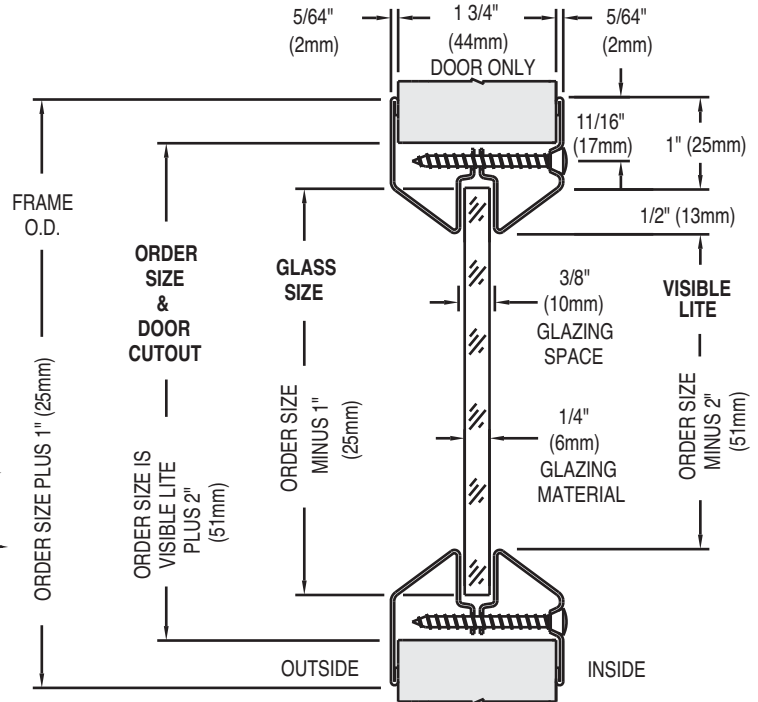
DETAIL DRAWING



PLEASE NOTE: On visible lite sizes larger than 1296 sq. in. (0.836 m²) on 20/45 min. and 100 sq. in. (0.065 m²) on 60/90/180 min., please consult with your Door / Frame Manufacturer's procedures, for their maximum glass size tested.



Anemostat manufacturing dimensions ±1/32 (1mm)
 Actual dimensions are nominal and may vary based on component manufacturer's tolerances.



STANDARD PRODUCT FEATURES

- **MATERIAL:** 20 GA. (1mm) Cold Rolled Steel.
- **FINISH:** Grey Primer, Beige or Bronze Baked Enamel.
- **INSTALLATION:** Our most popular product is easy to install and provides a low profile, flush to the door look. Uses 1 3/4" (44mm) sheet metal screws that pass through the door cutout, and fastens to the opposite side of the vision frame, thus eliminating the need to drill the door for thru bolts and saving installation time and labor. It also leaves the corridor side of the frame free of fasteners for added security and a cleaner, more aesthetic appearance.
- **DOOR THICKNESS:** For 1 3/4" (44mm) Wood or Metal Doors.
- **GLAZING:** Should be 1/4" (6mm), 3/16" (5mm) or 5/16" (8mm) fire and/or safety rated with U.L. and/or W.H.I. classification markings. Nominal glazing space of 3/8" (10mm) allows for glazing tape to be used on both sides of the glass.
- **AESTHETICS:** Tight mitered corners, beveled glass stop and low profile, provide a clean tapered look.
- **IMPORTANT:** Interpretation of building and fire codes may vary. Consult with the local authority having jurisdiction in your area, to determine appropriate standards.
- **NOTE:** For Exterior use, High Humidity or Salt Air application, product must be Galvanized or Stainless Steel.

OPTIONAL FEATURES

- **MATERIAL:** #304 or #316 Stainless Steel, #4 Finish(Satin), Galvanized(Coil, Hot Dipped, or Zinc Plated) Mill Finish Aluminum-(Not Fire Rated).
- **FINISH:** Custom Baked Enamel Colors (as per sample chip supplied). Plated Finishes to match the lock, hinges and closer.
- **FASTENERS:** Special Security Screw Fasteners, See Page 36, this section.
- **SPECIALS:** Fractional Sizes, Lead Lined for X-ray applications. For Special Glass or Door thickness (see FGS-IS or LoPro™-IS). For mullions see (LoPro™-G, FGS-75-G or BFL-123-G.)
- **HM CLIP:** Replaces the need for reinforcing channel see page 37 this section.

FIRE RATINGS (w/ U.L. & W.H.I. classification markings) Positive Pressure

- **20 MINUTE:*** Approved listing at 3204 sq.in. (2.067 m²) visible lite max. width 36" (914mm), max. height 89" (2261mm).
- **45/60 MINUTE:*** Approved listing at 2772 sq.in. (1.788 m²) visible lite max. width 36" (914mm), max. height 77" (1956mm).
- **90 MINUTE:*** Approved listing at 1296 sq.in. (0.836 m²) visible lite max. width 36" (914mm), max. height 54" (1372mm).
- **3 Hour:*** Approved listing at 100 sq.in. (0.065 m²) visible lite max. width 12" (305mm), max. height 33" (838mm)

* Must be used with FIRELITE Plus or NT and Fire listed glazing tape or another manufacturer's equivalent product. Glazing combination must be used in appropriately tested door assembly.

BS 476.22 Timber Doors - 30 min. and 1 hour.
British Standard Steel Doors - 2 hours (4 hours actual).

EN-1634 30/60 min. integrity and insulation - Indicative Testing
European Std.

Job Name & Location	Submitted by