



TECHNICAL DATA  
FROM  
**Anemostat**<sup>®</sup>  
DOOR PRODUCTS  
A MESTEK COMPANY

P.O. BOX 4938 • 1220 WATSONCENTER ROAD  
CARSON, CA 90745-4206  
(310) 835-7500 • FAX (310) 835-0448

e-mail: door@anemostat.com • website: www.anemostat.com

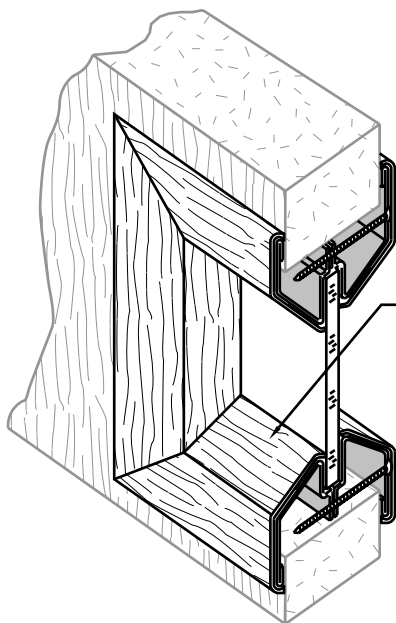
**WoodPro**<sup>™</sup>

LO-PROFILE  
METAL VISION FRAME  
WITH WOOD VENEER  
PATENT PENDING

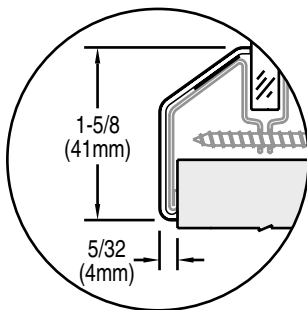


FIRE RATED BY  
UNDERWRITERS'  
LABORATORIES

DETAIL DRAWING



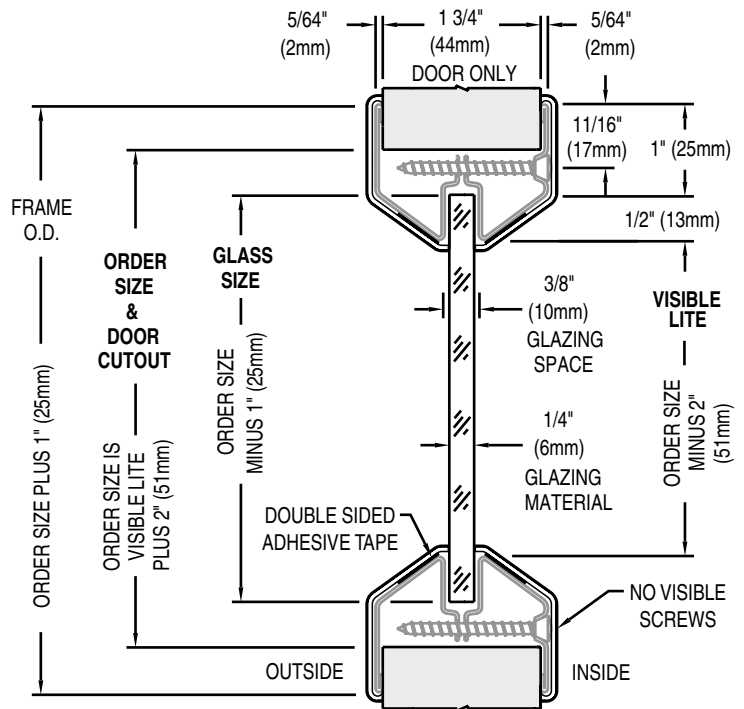
REAL WOOD VENEER  
(.014 THICKNESS)  
OVER PVC PROFILE



Dimensions for Wood Veneers

Anemostat manufacturing dimensions ±1/32  
Actual dimensions are nominal and may vary  
based on component manufacturers tolerances.

**PLEASE NOTE:** On visible lite sizes larger than 1296 sq. in. on 20/45 min. and 100 sq. in. on 60/90 min., please consult with your Door / Frame Manufacturer's procedures, for their maximum glass size tested.



Dimensions Shown for LoPro Metal Vision Frame

STANDARD PRODUCT FEATURES

- MATERIAL:** Frame: 20 GA. Cold Rolled Steel (LoPro Vision Frame).  
Wood Veneer: PVC and Wood Veneer
- FINISH:** Unfinished Red Oak, Maple, Cherry, or Mahogany over Beige Enamel LoPro.
- INSTALLATION:** WoodPro is easy to install and provides a low profile, flush to the door real wood finish. Uses 1 3/4" sheet metal screws that pass through the door cutout, and fastens to the opposite side of the vision frame. The formed wood veneers are pre-mitered with self-adhesive tape for ease of installation. Wood putty or putty stick may be required at miters to fill any small gaps.
- DOOR THICKNESS:** For 1 3/4" Wood Doors.
- AESTHETICS:** Tight mitered corners, beveled glass stop and a low profile to provide a clean, tapered look. Veneers are unfinished real wood. No Visible Screws after installation.
- GLAZING:** Glazing Space will vary based on Glazing Material and will determine thickness of Glazing Tape used. Glazing Material should be fire and safety rated for use as a door lite with U.L. markings when used in a fire rated assembly.
- IMPORTANT:** Interpretation of building and fire codes may vary. Consult with the local authority having jurisdiction in your area, to determine appropriate standards.

OPTIONAL FEATURES

- SPECIALS:** Veneers sold separately for use on existing LoPros of whole inch dimensions. Consult Factory. (Requires a compound miter cut.)

FIRE RATINGS (w/ U.L. classification markings) Positive Pressure

- 20 MINUTE:** Approved listing at 2592\* sq. in. visible lite. (max. width 36", max. height 72").
- 45/60 MINUTE:** Approved listing at 2592\* sq. in. visible lite. (max. width 36", max. height 72").
- 90 MINUTE:** Approved listing at 1296\* sq. in. visible lite. (max. width 36", max. height 54").

\*Must be used with FireLite Plus or NT and fire listed glazing tape, for max size tested, and be used in an appropriately tested door assembly.

NOTES:

- For interior use only.
- WoodPro must be ordered in whole inch increments. No fractional sizes.
- Minimum order size of 5". Maximum order size of 72".

Job Name & Location	Submitted by