



TECHNICAL DATA
FROM
Anemostat[®]
DOOR PRODUCTS
A MESTEK COMPANY

P.O. BOX 4938 • 1220 WATSONCENTER ROAD
CARSON, CA 90745-4206
(310) 835-7500 • FAX (310) 835-0448

e-mail: sales@anemostat.com • website: www.anemostat.com

HM-CLIP

HOLLOW METAL
DOOR CLIP



UNDERWRITERS'
LABORATORIES

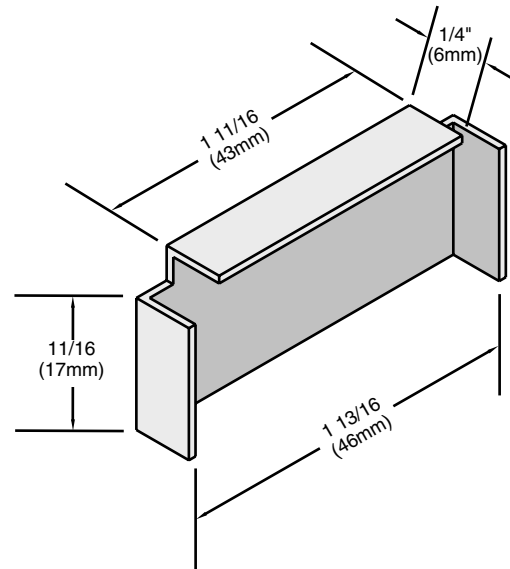
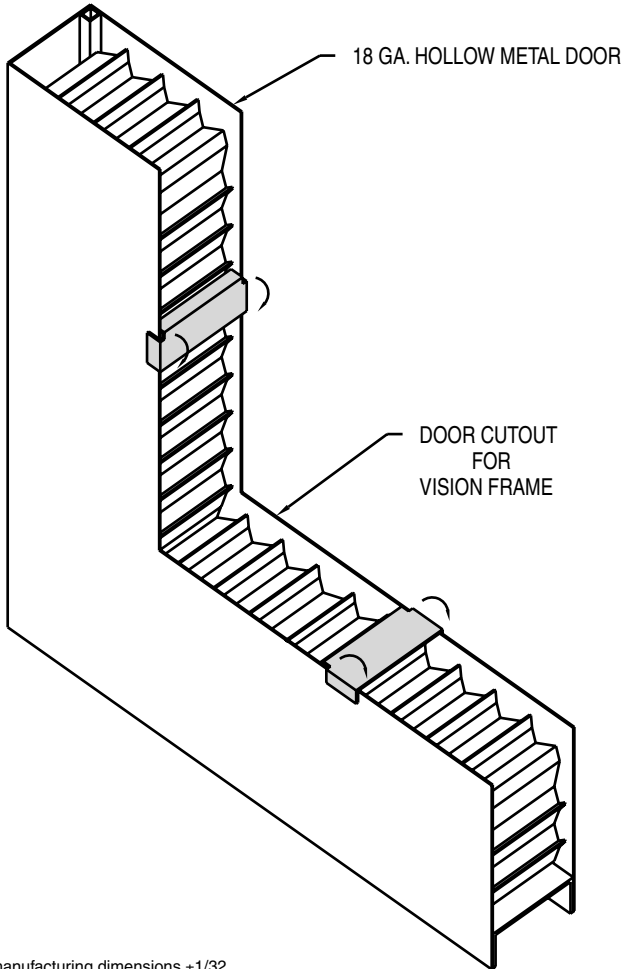
FIRE
RATINGS



WARNOCK
HERSEY

FOR USE WITH ANEMOSTAT DOOR PRODUCTS

DETAIL DRAWING



PLEASE NOTE: When using HM-CLIPS with LoPro™ series vision frames extra caution should be taken to ensure door cut-out is exact – **DO NOT OVERSIZE CUT-OUT!**

Anemostat manufacturing dimensions ±1/32
Actual dimensions are nominal and may vary
based on component manufacturers tolerances.

STANDARD PRODUCT FEATURES

- **MATERIAL:** 20 GA. Cold Rolled Steel.
- **INSTALLATION:** Put along bent side of clip between door skins, then snap into place, fitting flush with the door cutout.
- **PURPOSE:** Prevents hollow metal door from collapsing when core burns away during a fire.
- **DOOR THICKNESS:** For 1 3/4" Door only.
- **USES:** For use in Hollow Metal Door.
Replaces the need for reinforcing channel in all Anemostat Vision Frames and the FLDL-UL fusible link louver.

OPTIONAL FEATURES

- No clips required for 100 sq.in. Anemostat Visible Lite Frames.
- For Lites over 100 sq.in. visible lite.
 - One HM-Clip required on cutout sides 30" to 60" centered in side (minimum U.L. requirements).
 - Two HM-Clips required on cutout sides over 60", equally spaced in side (minimum U.L. requirements).

FIRE RATINGS (w/ U.L. & W.H.I. classification markings) Positive Pressure

- 20/45/60/90 minutes listing approval from Underwriters Laboratory and Warnock Hersey for use on all Anemostat Vision Frames and the FLDL-UL Louver.

| | |
|---------------------|--------------|
| Job Name & Location | Submitted by |
| | |

(10/04)
A04A002A

For Most Current Info, Consult Factory or check our website, www.anemostat.com

FEBRUARY 2003
METAL VISION FRAMES PAGE 32