



TECHNICAL DATA
FROM
Anemostat[®]
DOOR PRODUCTS
A MESTEK COMPANY

P.O. BOX 4938 • 1220 WATSONCENTER ROAD
CARSON, CA 90745-4206
(310) 835-7500 • FAX (310) 835-0448

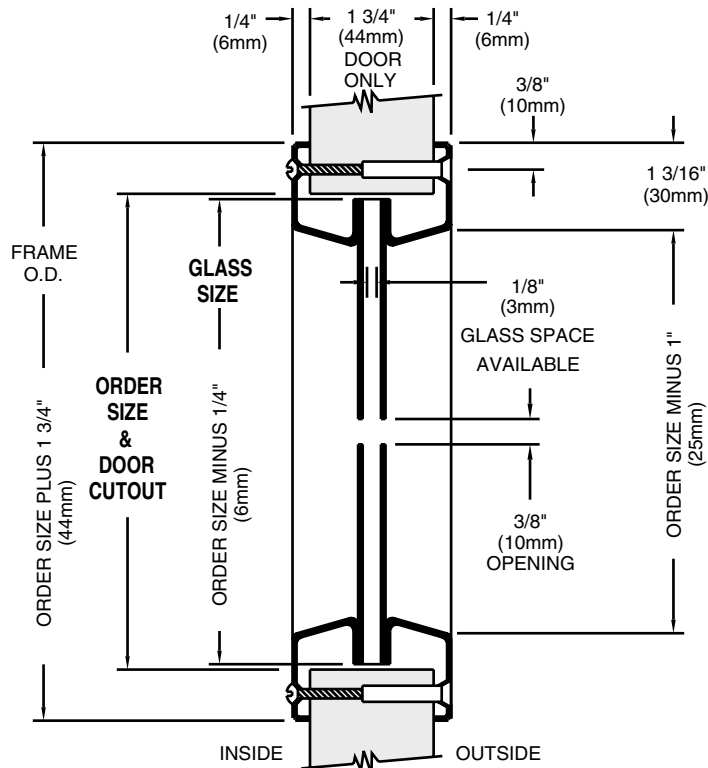
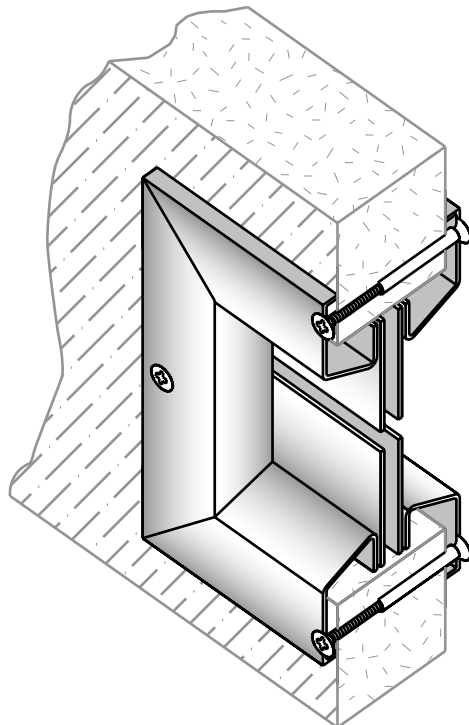
e-mail: sales@anemostat.com • website: www.anemostat.com

BFL-75-PO

POST OFFICE OBSERVATION
METAL
VISION FRAME

NOT FIRE RATED

DETAIL DRAWING



12 X 6 IS STANDARD ORDER SIZE
OTHER SIZES AVAILABLE, CONSULT FACTORY

Anemostat manufacturing dimensions $\pm 1/32$
Actual dimensions are nominal and may vary
based on component manufacturers tolerances.

STANDARD PRODUCT FEATURES

- **MATERIAL:** 18 GA. Cold Rolled Steel.
- **FINISH:** Grey Primer, Beige or Bronze Baked Enamel.
- **INSTALLATION:** By drilling 1/4" holes thru the door, around the perimeter of the door cutout.
Frame has countersunk mounting holes for #8x32 phillips head steel thru bolts with a blank head on one side for flush appearance.
- **DOOR THICKNESS:** For 1 3/4" Wood or Metal Doors.
- **GLAZING SPACE:** Space allows for 1/8" thick glazing material.
Can also be used without Glazing Material.
For a thicker glazing space, consult factory about FGS-IS-PO.
- **AESTHETICS:** Tight mitered corners, beveled glass stop for a clean tapered look.
- **NOTE:** For Exterior use, High Humidity or Salt Air application, product must be Galvanized or Stainless Steel.

OPTIONAL FEATURES

- **MATERIAL:** #304 or #316 Stainless Steel, #4 Finish (Satin), Galvanized (Coil, Hot Dipped, or Electro Plated).
- **FINISH:** Custom Baked Enamel Colors (as per sample chip supplied).
Plated Finishes to match the lock, hinges and closer.
- **FASTENERS:** Special Security Screw Fasteners,
See Page 31, this section.
- **SPECIALS:** Fractional Sizes, Lead Lined for X-ray applications,
Glass or Door thickness (consult factory for FGS-IS-PO).
LoPro™-PO available for a Lo-Profile, more streamlined look.

FIRE RATINGS

- **BFL-75-PO is not fire rated.**
- **IMPORTANT:** Interpretation of building and fire codes may vary. Consult with the local authority having jurisdiction in your area, to determine appropriate standards.

Job Name & Location	Submitted by