



TECHNICAL DATA
FROM
Anemostat[®]
DOOR PRODUCTS
A MESTEK COMPANY

P.O. BOX 4938 • 1220 WATSONCENTER ROAD
CARSON, CA 90745-4206
(310) 835-7500 • FAX (310) 835-0448

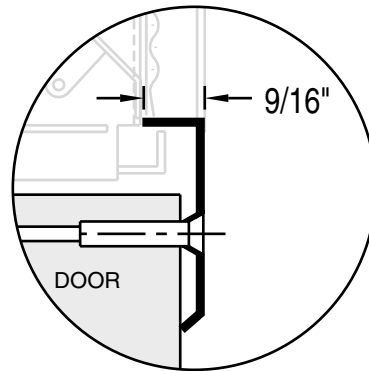
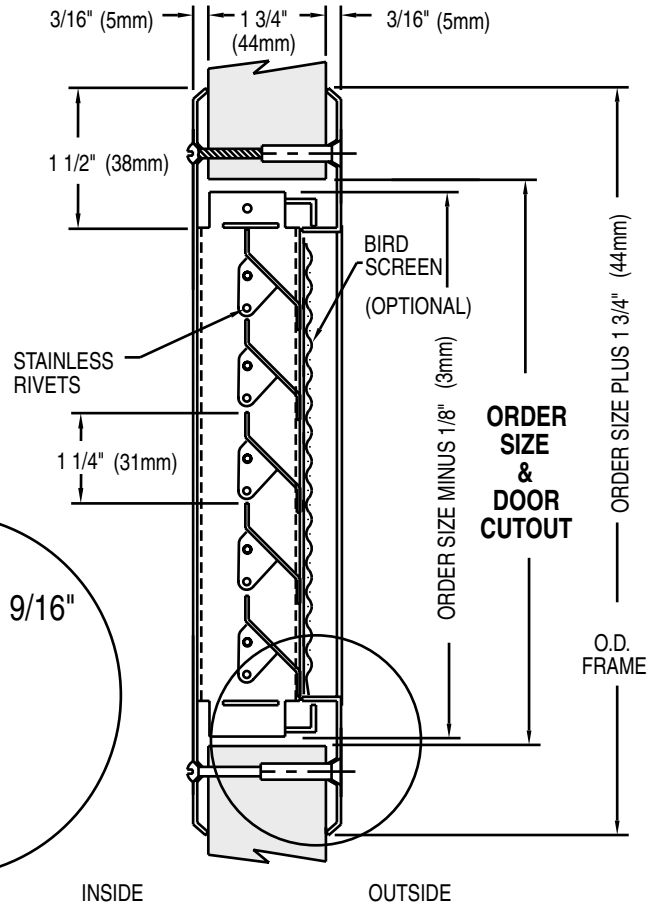
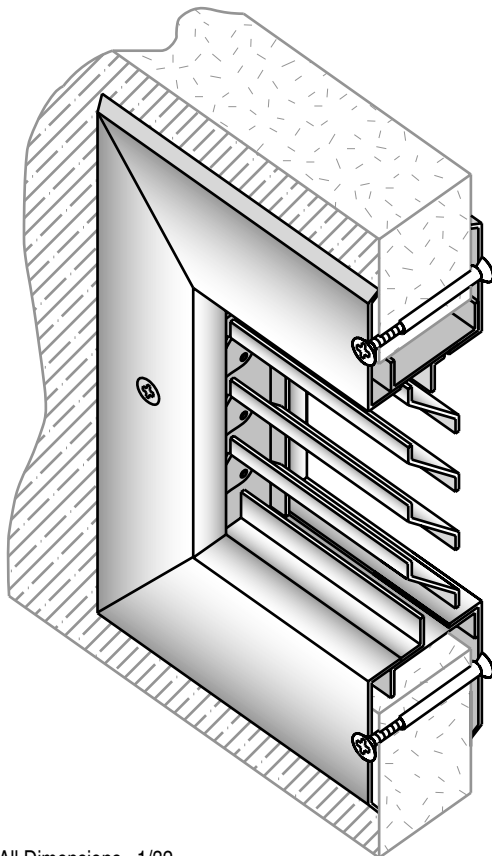
e-mail: sales@anemostat.com • website: www.anemostat.com

FPL-2

FIXED POSITION
THRU BOLTED
"Z" BLADE LOUVER

RATED FOR WIND RESISTANCE
NOT FIRE RATED

DETAIL DRAWING



All Dimensions ±1/32

STANDARD PRODUCT FEATURES

- **MATERIAL:** 18 GA. Galvanized Steel, Frame and Louver Blades.
- **FINISH:** Grey Primer, Beige or Bronze Baked Enamel.
- **INSTALLATION:** By drilling 1/4" holes thru the door, around the perimeter of the cutout. The frame has countersunk mounting holes for #8-32 phillips head steel thru bolts with a blank head on one side for a flush appearance.
- **DOOR THICKNESS:** For 1 3/4" Door.
(available for 1 3/8" Doors).
- **AESTHETICS:** Tight mitered corners and countersunk mounting holes make for a clean appearance.
- **FREE AIR FLOW:** 53.5% Free Area.
- **NOTE:** For Exterior use, High Humidity or Salt Air application, product must be Galvanized or Stainless Steel.
- **IMPORTANT:** Interpretation of building and fire codes may vary. Consult with the local authority having jurisdiction in your area, to determine appropriate standards.

OPTIONAL FEATURES

- **MATERIAL:** #304 Stainless Steel, #4 Finish (Satin), Galvanized (Electro Plated).
- **FINISH:** Custom Baked Enamel Colors (as per sample chip supplied by customer).
- **FASTENERS:** Special Security Screw Fasteners, See Page 14, this section.
- **SPECIALS:** Fractional sizes not available.
18-14 mesh insert screens, loose or attached. (Galvanized, Aluminum, Charcoal Aluminum, Stainless Steel).
- **SCREEN:** 1/2" mesh bird screen is optional.

SPECIAL RATINGS

- FPL-2 is rated for wind resistance per ASTM E-330.
- FPL-2 is not fire rated.
- FPL-2 is not approved by Florida Power and Light.

Job Name & Location	Submitted by